

01

SKY CREATIVE
TRADING &
CONTRACTING

For Solutions
That Succeed

INDEX

- 05 Company Profile
- 09 Mission and Vision
- 11 Our Divisions
- 15 Trading Division
 - Furniture
 - Office Supplies
 - Information Technology (IT) Solutions
 - Consumer Electronics & Appliances
- 33 Construction (Contracting) Division
 - Construction Services
 - Mechanical, Electrical & Plumbing (MEP)
 - Building Materials
- 39 Leading Quality & Control
- 41 Advanced Logistics Practices
- 43 Value-Driven Budgets
- 45 Our Creative Team

05

A large container ship is docked at a port. The ship's deck is filled with stacks of colorful shipping containers in shades of blue, yellow, red, and grey. A large gantry crane is visible in the background, and the sky is a mix of blue and orange, suggesting a sunset or sunrise. The ship's hull is dark blue with a red stripe at the bottom.

COMPANY PROFILE

07

Enriched with over 35 years of trading and contracting experience, our team has established an enviable reputation as a global and regional leader in the field of procurement, logistics, and construction.

This is due to our combination of highly-efficient processes, visionary and creative management, and our ability to effectively source the products and services our clients demand-on time, first time, every time.

Meeting and exceeding client requirements and expectations is our chief and overriding purpose. Handling the diversity of our clients' industries, locations, requirements and needs is at the heart of everything we do, further enhancing our reputation and client satisfaction.

Our worldwide offices and network partners allow us to source and supply the most advanced and technically-suited products and services that fulfill our clients' requirements, with the flexibility to provide great quality and cost efficiency that only a global network can provide.

It is hardly surprising, then, that our client list encompasses a multitude of market sectors, including multi-national institutions, internationally-positioned government agencies, military, media, labour camps, construction, educational facilities, and the oil and gas sectors.

VISION

We support customers by building and developing creative flexibilities and support solutions in order to anticipate, service and exceed the specialized requirements of our customers.

Through this, we play a key communal role in the growth of the State of Qatar and its commitment to the 2030 Vision.

MISSION

- Create and maintain long-term, mutually successful business relationships with our clients.
- Apply our superior skills, innovative processes and comprehensive market understanding to our clients' benefit.
- Innovate result-oriented solutions that anticipate and meet client requirements, achieve a sustainable competitive advantage and enable growth and future success.
- Promote only the highest quality products and services, with honesty, transparency and integrity.
- Attract the best talent worldwide and enable them to fully meet their personal and professional goals.





11

OUR
DIVISIONS

**Trading
Solutions**

**Contracting
Solutions**

Furniture

Construction

Office Supplies

**Mechanical
Electrical &
Plumbing**

**Information
Technology**

**Building
Materials**

**Consumer
Electronics
& Appliances**

13

Across all of our divisions, we are committed to meeting and exceeding client requirements in terms of product suitability, volume, quality, timing and costs.

We accomplish these goals through a strategy of modular and individually-balanced elements, including supply, budget analysis and allocation, forecasting, procurement to specific needs, value and quality-led purchasing, and superior logistics that maximize efficiency from order to delivery, on time, first time, every time.

We pride ourselves on sourcing and supplying quality products from around the world, to meet the most rigorous client standards, on time, in the correct quantity, and for a market-driven accurately price.

It is this dedication to all of our clients that has won us our place as 'supplier of choice' for leading companies and operations worldwide.



15

**TRADING
DIVISION**





17

FURNITURE



NOTE: Catalogues of all our products and services may be requested by sending an email to maher@skyctcq.com or rose@skyctcq.com.

19

Finding the right furniture for your office is one of our specialties. With the help of our highly skilled in-house decorators and designers, we provide the most efficient, superior and durable office furniture in the Gulf region.

Our furniture collection includes, but is not limited to, the following categories:

- Executive offices:
Desk, Chairs & Workstations
- Public Seating
- Steel Furniture
- Office Sofas
- Conference Tables
- Folding Furniture
- Complete Labour Camp Solutions

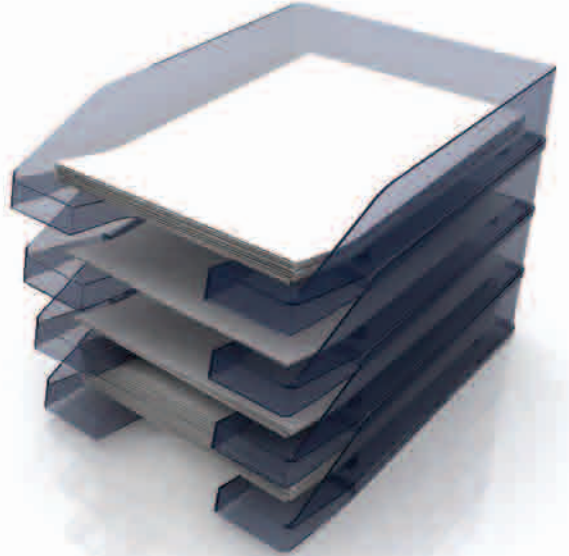




21

OFFICE
SUPPLIES





NOTE: Catalogues of all our products and services may be requested by sending an email to maher@skyctcq.com or rose@skyctcq.com.

Another specialty of ours is bringing to your office or institution customized solutions, thanks to a full range of office supplies. Ranging from supplies for the workplace, maintenance shop, to the transportation warehouse, our function and administrative items are specifically designed to grant our customers full flexibility in accomplishing their most crucial business support works.

We have broad representation across the Middle East and currently offer general office supplies, computer supplies, business machines and related supplies. We also provide office furniture from local, regional, 'MADE IN THE USA' , as well as international brands and services by means of a dedicated sales force, catalogues and web access.

- Stationery, Including Pens, Pencils, and Notepads.
- Toners and Inkjet Cartridges
- Cleaning Supplies
- Paper and Related Supplies
- Printing and Reproduction Services
- Computer Support Services
- Packaging, Packing and Logistics Supplies and Services.



25

INFORMATION
TECHNOLOGY (IT)

Networks & Servers

**Cisco, APC, Intel,
Blackbox & Belkin**

Dell, HP & IBM

Desktops, Laptops & Tablets

Dell & HP

IBM & SONY

Storage

IBM

Netgear

Printers, Supplies & Accessories

HP & Lexmark

Xerox & Panasonic

Power Management

APC & Tripp Lite

HP & Belkin

Software

Microsoft

Adobe

NOTE: Catalogues of all our products and services may be requested by sending an email to maher@skyctcq.com or rose@skyctcq.com.

Now - more than ever - it's important for your business to have an IT solutions partner who can help you by keeping up with the latest technologies in the global markets, to maximize your productivity, and minimize your purchasing footprint.

We are your single-source solution for all your IT needs. With a complete portfolio of hardware, software and services, we will assist and support your IT requirements by securing essential technologies locally, and providing technical support experts for the strategic planning and development of your IT solutions.

29

CONSUMER
ELECTRONICS
& APPLIANCES



NIKAI[®]



Panasonic
ideas for life

NOTE: Catalogues of all our products and services may be requested by sending an email to maher@skyctcq.com or rose@skyctcq.com.

31

Consumer electronics continue to evolve at a rapid pace, driven by the public's passion for technology and the promises offered in returns.

For companies involved in any phase delivery process, a significant challenge resides in ensuring the right solution in terms of securing up-to-date and not obsolete application, material function, application, and material function, and balancing short and long term budget margins of our clients.

As the partner of many leading consumer electronics players, Sky creative Trading and Contracting understands the challenges and needs of this fast-paced industry, and the criticality of their relevance in our clients' personal and professional missions.



33



CONSTRUCTION (CONTRACTING) DIVISION



NOTE: Catalogues of all our products and services may be requested by sending an email to maher@skyctcq.com or rose@skyctcq.com.

35

In order to keep up with the growing demand in the gulf region, our offices in Qatar, UAE and Saudi Arabia have all aided in our mission to support our clients' needs by achieving successful solutions. Our trading divisions categories include, but are not limited to, the following:

Construction Services:

Our experience spans a wide array of project types— from civil, electrical and mechanical works, to landscape and external site development, to full turnkey construction – our key to success is doing things right from the first time.

Our approach includes:

Disciplined and systematic preconstruction; work according to effective, efficient and integrated methods; optimize every aspect of construction including cost, schedule and methods; and discuss openly the measures of the quality of workmanship in the effort expended.

Mechanical, Electrical & Plumbing (MEP):

Through our MEP team, we not only provide services associated with the complete construction spectrum, from local, regional, 'MADE IN THE USA' and international brands of tools, parts and services by means of a dedicated sales force, catalogues and web access. we also source and provide many building related supplies, including – but not limited to:

- Mechanical
- Electrical
- Plumbing
- Safety
- Tools & Related Supplies



NOTE: Catalogues of all our products and services may be requested by sending an email to maher@skyctcq.com or rose@skyctcq.com.

Building Materials:

Sky Creative Trading and Contracting has access to a complete range of all materials required for all aspects of the build process from below ground to finishing. We work with only the best suppliers in the industry – local and international. From floor to ceiling, internal to external, lumber to paint, PVC to steel, we are your Single Solution Seller- satisfaction guaranteed!”

With such a large choice of building materials in the market, we maximize the client’s savings strategy by sourcing the right product solutions based on key factors of technical quality, price and delivery combined in order to meet the critical needs of our client.

LEADING QUALITY & CONTROL

We use the most advanced and innovative practices and systems to meet our clients' needs, whether it is to upgrade logistics and goods in anticipation of changing client-driven demands or to provide virtual-time monitoring and service for Just-in-Time (JIT) client mission inventories.

Our quality control and assurance teams guarantee that we meet and exceed client specifications in terms of quality, quantity, price and delivery. To maintain these standards, our QA/QC program is designed to showcase consistency, comparability, transparency, and completeness.

41

ADVANCED LOGISTICS PRACTICES

We continuously strive to develop and improve our logistics standards to best meet our client's needs for quick and complete order fulfillment.

We accomplish this through our specialized and highly-experienced logistics team, in co-operation with our international alliance partners, freight shippers and our own internal network of expert professionals.

We operate and manage Sky Creative client projects and requirements by utilizing the most up-to-date hardware and software linked across a vast database of contacts, vendors, partners and customers all designed to work together to meet and exceed our clients' business objectives.

By using the finest on-line tracking systems, and achieving quality reassurance thank to our dedicated representatives and professional local transportation network available around the clock, we guarantee to manage our clients' orders according to the set schedule, to any location, first time, every time.



43

VALUE-DRIVEN BUDGETS

The Sky Creative team purchasing power, globally networked connections and multiple market insight allow us to achieve value-driven employment of clients' budgets, in line with their economy objectives. If your goals are to reduce costs or improve quality - we are your BEST advocate and choice for any and all requirements.

We are THE leader in our field, across all of our operational regions, and our clients' preferred choice for their BEST-VALUE procurement needs worldwide!



45

OUR CREATIVE TEAM

Collectively, the Sky Creative team has over 35 years of experience in logistics, procurement, market research, acquisitions, and project and contract management. We recognize the vital role our employees' powerful knowledge, skills and abilities play in building and sustaining the company while focusing on increasing client satisfaction.

At every level - from senior management to the loading bay - we support, provide training and development opportunities, encourage entrepreneurship, initiatives and 'outside-the-box' creativity.

We believe in the importance of mentoring and coaching our team to succeed "across the board" and achieve true professional development in a transparent and competitive commercial environment.

GRAINGER®

FOR THE ONES WHO GET IT DONE



ORDER ANYTHING.
MANAGE EVERYTHING.

ONLINE SOLUTIONS | INVENTORY MANAGEMENT | SAFETY | SERVICE & SUPPORT

SIGN IN OR
REGISTER ON
GRAINGER.COM® TO
VIEW YOUR PRICING.



Welcome to Your Grainger Reference Guide

Use this resource as a gateway to the more than 1.4 million products we carry and the wide menu of business solutions at your disposal. Grainger has the tools to help you manage just about everything—from the way you purchase products to how you control your inventory and maintain safe operations. Let us know what we can do for you.

Get it. Got it. Good.®

Get More Done Your Way

Take advantage of all the channels we offer to help keep your operations up and running.

WEBSITE

Grainger.com® is your guide to our full product offering. Go online to see your pricing and check real-time availability. Track your orders and save favorite items to your personal lists. Get started at grainger.com/registernow. Need a little help navigating our website? Just visit grainger.com/help.



MOBILE APPS

The Grainger suite of mobile features makes it easy to place orders when you're on the go, check real-time availability, access order history, locate the nearest branch and view your pricing.



BOOK

4000+ pages filled with more than 450,000 products, plus the specs and info you need to help get your job done.



BRANCH

With hundreds of branches nationwide, chances are there's a location near you. You can also place your order online and pick it up at your local branch.



GRAINGER DIGITAL CATALOGS

Browse our digital catalogs, order print catalogs or download useful content. It's just a click away. You'll find it all at grainger.com/catalogonline.



Your Trusted Business Partner

At Grainger, we're all about helping you find ways to save on purchasing and inventory costs, keep your employees safe and make it easier for you to get your job done.

INVENTORY MANAGEMENT SOLUTIONS

You need inventory answers as unique and powerful as your operations. Let us help you save time, money and space.

grainger.com/keepstock

HELPING KEEP YOUR PEOPLE AND FACILITY SAFE

Products, services and resources that help you reduce injuries, facilitate compliance, manage risk and increase productivity.

grainger.com/safety

FREE ANSWERS TO TOUGH PRODUCT QUESTIONS

Our Safety Technical Product Support Specialists have the education and hands-on field experience to provide the answers you need. Drop us an email.

safetysupport@grainger.com

INFORMATION YOU CAN USE

Our SupplyLink® online library is where you'll find articles, information and real-world examples of workers solving problems, improving processes and creating more productive workplaces.

grainger.com/supplylink

THE BRAND THAT HELPS KEEP YOUR BUSINESS RUNNING

Discover how a wide range of Dayton® products can help you work smarter. Check out our collection of technical product information, articles, videos and infographics.

grainger.com/dayton



Sign In | Register Now

Where to Find Your Pricing

Just sign in on Grainger.com® to see your pricing. Not registered yet? No problem. It only takes a couple minutes to register on our website. In a few simple steps, you'll be taking advantage of the benefits of being a registered Grainger.com customer.

MOTORS **3**
POWER TRANSMISSION **84**

ELECTRICAL **204**

LIGHTING **551**

TEST INSTRUMENTS **677**
LAB SUPPLIES **789**

POWER TOOLS **843**
HAND TOOLS **948**
FLEET/VEHICLE MAINTENANCE **1118**
OUTDOOR EQUIPMENT & GENERATORS **1239**

LADDERS **1291**
MATERIAL HANDLING **1318**
FOOD SERVICE & HOSPITALITY **1523**

JANITORIAL **1600**
PAINTING **1722**

SHELVING & STORAGE **1768**
OFFICE SUPPLIES **1889**
PACKAGING **1955**

SAFETY **2019**

SECURITY **2387**

FASTENERS **2532**
RAW MATERIALS **2717**
ADHESIVES **2772**

MACHINING **2801**
ABRASIVES **2969**
WELDING **3020**
LUBRICATION **3060**

HYDRAULICS **3091**
PNEUMATICS **3130**

PUMPS **3263**
PLUMBING **3364**

HVAC & REFRIGERATION **3646**

Think Safety. Think Grainger.®

PRODUCTS



SERVICES



Count on Grainger to help you keep your people and facilities safe.

Choose from over 130,000 safety products plus the services and resources to help you reduce injuries, facilitate compliance, manage risk and increase productivity. Visit our online Safety Solution Center for OSHA checklists, safety articles, free archived webinars and more.

RESOURCES



> Learn more at grainger.com/safety

Public
Transportation



Designed for
Professionals

Hospitality



Corporate



expanding **PRO-AV** experiences

For professionals by professionals

Global specialist • Vogel's is the global specialist in mounting solutions for AV equipment. For 40 years, we have been working hard to simplify the placement of electronic equipment in professional and public areas for AV and electro-technical installers. Our strategic focus on systematic innovation and high quality design has enabled us to create winner after winner for this demanding market.

Serving the Pro-AV Installer • Vogel's is serving the Pro-AV Installer with complete solutions with exactly the benefits your customers are asking for. Extending our products in different sizes and differentiating features you can be sure there is always a solution for your AV challenge.

What makes Vogel's Professional so special?

Design/styling • Vogel's stands out from the competition by its unique and timeless design. It is no surprise that Vogel's continues to win design awards all over the world and of course the beautiful design is combined with very sophisticated functionality.

Quality and safety • All Vogel's products comply with the highest industry standards for quality and safety. Only the best materials are used. All products for professional use are tested to carry at least five times the specified weight (TÜV-GS).

Innovative • Time and time again Vogel's introduces surprising new designs for both existing and new applications. A range of short throw projector mounts, a complete range of electronic projector lift systems, a modular range of ceiling solutions are just a few of Vogel's complete program.

Complete solutions • A complete range of mounting-solutions for both projectors and flat panel displays. From simple to advanced. From static to electronically operated. Vogel's has a solution for every AV mounting application; A one-stop shop.

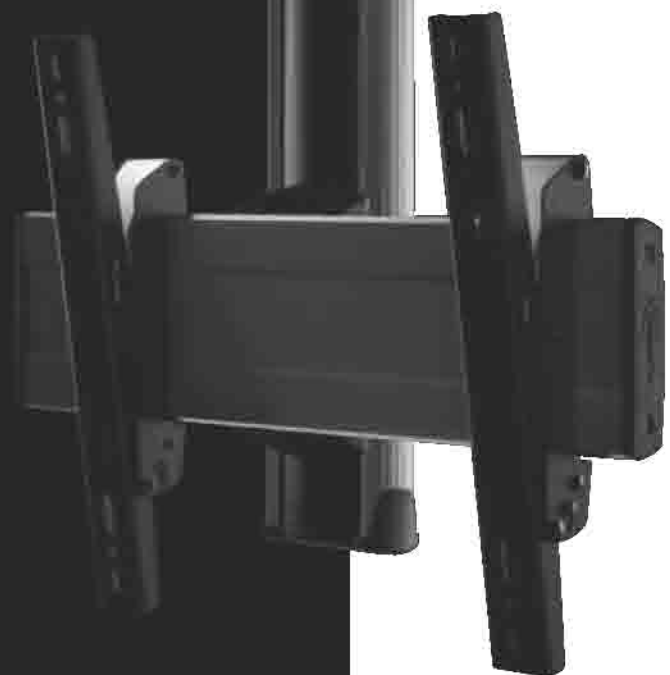
Theft proof when using security padlock & screws.



Stylish design, versatile set-up for multiple displays.



The double Cable Inlay System (CIS®) neatly hides all cables.



Floor stands & trolleys



Monitor desk mounts



Video conferencing furniture



Projector ceiling mounts



Display ceiling mounts



Functional solutions for every situation

- Stylish design to be integrated in every corporate area
- Quality and safety
- Innovative functionalities
- Quick and easy installation

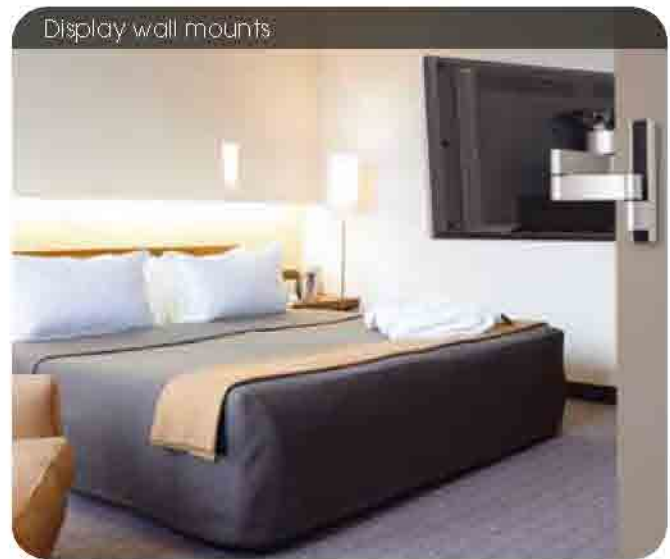
Display ceiling mounts



Display wall mounts



Display wall mounts



TabLock® & accessories



Stylish products for hotel/ hospital environment

- Stylish design combined with safety features
- Space saving solutions
- For every area the appropriate functionality
- Create modern atmosphere

Projector ceiling mounts



Short throw projector mounts



Display floor stands & trolleys



Anti theft housings



Motorized wall mount



Teaching with modern technology

- Safe and secure
- Theft proof & anti vandalism
- Better ergonomics
- Space saving
- Mobile solutions

Monitor desk mounts



Floor stands & trolleys



Display ceiling mounts



Instant accessible travel information

- Back to back mounting
- Quality and safety
- Stylish design
- Solution for every location

Video wall mounts



Floor to ceiling solution



Display ceiling mounts



Monitor desk mounts



TabLock® & floor stands



Video wall mounts



Instore digital signage solutions

- Solution for every screen size
- TÜV and security
- Modular system
- All cables out of sight
- Quick and easy installation



Energizer[®]

Lighting Catalogue
2016



Introduction

Energizer® is recognised as one of the most trusted and highly desirable consumer brands.

Our lighting range has been designed with the consumer in mind, created with attractive, colourful and informative shelf ready retail packaging. Manufactured to the highest standards, compliant with the latest lamp industry regulations.

The **LED** range includes high performance, economical and sustainable technologies. The collection comprises all of the most popular shapes and offers dimmable and non-dimmable solutions.

The **ECO HALOGEN** range are retro fit energy efficient lamps, available in a wide selection of wattages, caps and shapes to suit everyday applications.

The premium packaging clearly communicates the technology and product benefits to the consumer.

Contents

LED

GU10	4
MR16 (GU5.3)	6
GOLF	8
CANDLE	10
GLS	14
TUBES	16
FILAMENT	18
G4 & G9	20
REFLECTORS	20

ECO HALOGEN

GU10	22
MR16 (GU5.3)	22
GOLF	24
CANDLE	26
GLS	28
G4 & G9	30
REFLECTORS	30
LINEAR	32

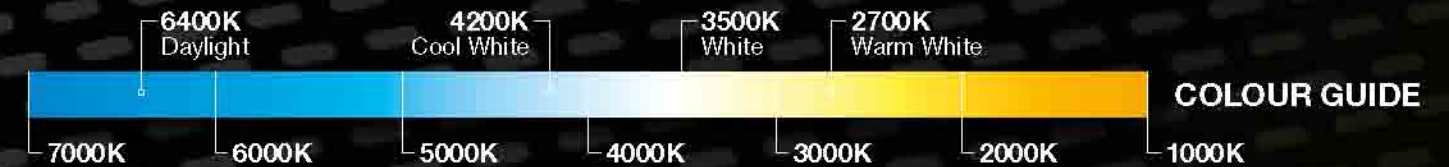


Energizer global brand logo and colour scheme

Other product features and benefits are also clearly shown within the grid

Feature grid communicating 40w replacement, along side the energy saving 6w power consumption

Prominent LED logo to identify the technology



COLOUR GUIDE



* Based on 2.7 hours per day average use

GU10

- Easy Replacement
- Automated Production
- Flicker Free Design
- IC Drivers
- Even Light Distribution
- Instant Light
- True Retro Fit

GU10



- Replacements for 35w, 50w and 80w Halogens
- 2700K & 4000K Alternatives
- Dimmable Alternatives
- COB Style Design



GU10 - 35W REPLACEMENT - 25,000 HOURS

Part Number	Pack	Watt.	Cap	Dimmable	Life	Lumen	Colour Temp.	Lamp Dims.	Inner Qty.	Outer Qty.
S8866	Box	3.6w	GU10	x	25000hrs	245lm	3000K	50x54	12	72
S8868	Box	3.6w	GU10	x	25000hrs	255lm	4000K	50x54	12	72
S8869	Blister	3.6w	GU10	x	25000hrs	255lm	4000K	50x54	12	72

GU10 - 50W REPLACEMENT - 25,000 HOURS

Part Number	Pack	Watt.	Cap	Dimmable	Life	Lumen	Colour Temp.	Lamp Dims.	Inner Qty.	Outer Qty.
S8870	Box	5w	GU10	x	25000hrs	350lm	3000K	50x54	12	72
S8872	Box	5w	GU10	x	25000hrs	370lm	4000K	50x54	12	72
S8874	Box	5.7w	GU10	✓	25000hrs	345lm	3000K	50x54	12	72
S8876	Box	5.7w	GU10	✓	25000hrs	360lm	4000K	50x54	12	72

GU10 - 80W REPLACEMENT - 25,000 HOURS

Part Number	Pack	Watt.	Cap	Dimmable	Life	Lumen	Colour Temp.	Lamp Dims.	Inner Qty.	Outer Qty.
S8097	Box	6.5w	GU10	✓	25000hrs	500lm	3000K	50x54	12	72
S8098	Box	6.5w	GU10	✓	25000hrs	500lm	4000K	50x56	12	72

GU10 & MR16

- Easy Replacement
- Automated Production
- Flicker Free Design
- IC Drivers
- Even Light Distribution
- Instant Light
- True Retro Fit

- Replacements for 35w and 50w Halogens
- 2700K and 4000K Alternatives
- Dimmable Alternatives
- COB Style Design

GU10



MR16



GU10 - 35W REPLACEMENT - 15,000 HOURS

Part Number	Pack	Watt.	Cap	Dimmable	Life	Lumen	Colour Temp.	Lamp Dims.	Inner Qty.	Outer Qty.
S8821	Box	3.6w	GU10	✗	15000 hrs	250lm	3000K	50x54	12	72
S8689	Blister	3.6w	GU10	✗	15000 hrs	250lm	3000K	50x54	12	72
S8822	Box	3.6w	GU10	✗	15000 hrs	255lm	4000K	50x54	12	72
S8911	Blister	3.6w	GU10	✗	15000 hrs	255lm	4000K	50x54	12	72

GU10 - 50W REPLACEMENT - 15,000 HOURS

Part Number	Pack	Watt.	Cap	Dimmable	Life	Lumen	Colour Temp.	Lamp Dims.	Inner Qty.	Outer Qty.
S8823	Box	5w	GU10	✗	15000 hrs	350lm	3000K	50x54	12	72
S8824	Blister	5w	GU10	✗	15000 hrs	350lm	3000K	50x54	12	72
S8825	Box	5w	GU10	✗	15000 hrs	370lm	4000K	50x54	12	72
S8690	Blister	5w	GU10	✗	15000 hrs	370lm	4000K	50x54	12	72
S8826	Box	5.5w	GU10	✓	15000 hrs	345lm	3000K	50x54	12	72
S8691	Blister	5.5w	GU10	✓	15000 hrs	345lm	3000K	50x54	12	72
S8827	Box	5.5w	GU10	✓	15000 hrs	360lm	4000K	50x54	12	72
S8828	Blister	5.5w	GU10	✓	15000 hrs	360lm	4000K	50x54	12	72

MR16 - 35W REPLACEMENT - 15,000 HOURS

Part Number	Pack	Watt.	Cap	Dimmable	Life	Lumen	Colour Temp.	Lamp Dims.	Inner Qty.	Outer Qty.
S8832	Box	4.8w	GU5.3	✗	15000 hrs	345lm	3000K	50x45	12	72
S8692	Blister	4.8w	GU5.3	✗	15000 hrs	345lm	3000K	50x45	12	72
S8833	Box	4.8w	GU5.3	✗	15000 hrs	360lm	4000K	50x45	12	72

- Easy Replacement
- Flicker Free Design
- Even Light Distribution
- True Retro Fit
- Automated Production
- IC Drivers
- Instant Light

- Replacements for 25w and 40w Incandescent
- Dimmable Alternatives
- 2700K Output
- Clear and Opal Alternatives



GOLF - 25W REPLACEMENT - 15,000 HOURS

Part Number	Pack	Watt.	Cap	Dimmable	Life	Lumen	Colour Temp.	Lamp Dims.	Inner Qty.	Outer Qty.
S8834	Box	3.4w	B22	✗	15000 hrs	250lm	2700K	45x74	12	72
S8835	Blister	3.4w	B22	✗	15000 hrs	250lm	2700K	45x74	12	72
S8836	Box	3.4w	E27	✗	15000 hrs	250lm	2700K	45x74	12	72
S8693	Blister	3.4w	E27	✗	15000 hrs	250lm	2700K	45x74	12	72
S8837	Box	3.4w	E14	✗	15000 hrs	250lm	2700K	45x80	12	72
S8694	Blister	3.4w	E14	✗	15000 hrs	250lm	2700K	45x80	12	72

GOLF - 40W REPLACEMENT - 15,000 HOURS

Part Number	Pack	Watt.	Cap	Dimmable	Life	Lumen	Colour Temp.	Lamp Dims.	Inner Qty.	Outer Qty.
S8838	Box	5.9w	B22	✗	15000 hrs	470lm	2700K	45x87	12	72
S8695	Blister	5.9w	B22	✗	15000 hrs	470lm	2700K	45x87	12	72
S8909	Blister	5.9w	B15	✗	15000 hrs	470lm	2700K	45x87	12	72
S8839	Box	5.9w	E27	✗	15000 hrs	470lm	2700K	45x87	12	72
S8696	Blister	5.9w	E27	✗	15000 hrs	470lm	2700K	45x87	12	72
S8840	Blister	6.5w	E27	✓	15000 hrs	470lm	2700K	45x87	12	72
S8841	Box	5.9w	E14	✗	15000 hrs	470lm	2700K	45x89	12	72
S8697	Blister	5.9w	E14	✗	15000 hrs	470lm	2700K	45x89	12	72
S8842	Blister	6.5w	E14	✓	15000 hrs	470lm	2700K	45x89	12	72

GOLF - 40W REPLACEMENT - 25,000 HOURS

Part Number	Pack	Watt.	Cap	Dimmable	Life	Lumen	Colour Temp.	Lamp Dims.	Inner Qty.	Outer Qty.
S8104	Box	5.9w	B22	✗	25000 hrs	470lm	2700K	45x87	12	72
S8106	Box	5.9w	E14	✗	25000 hrs	470lm	2700K	45x89	12	72

Candle - CLEAR FINISH

- Easy Replacement
- Automated Production
- Flicker Free Design
- IC Drivers
- Even Light Distribution
- Instant Light
- True Retro Fit

- Replacements for 25w and 40w Incandescent
- 2700K Output
- Dimmable Alternatives
- Clear and Opal Alternatives



CANDLE - 25W REPLACEMENT - 15,000 HOURS

Part Number	Pack	Watt.	Cap	Dimmable	Life	Lumen	Colour Temp.	Lamp Dims.	Inner Qty.	Outer Qty.
S8846	Box	3.4w	B22	✗	15000 hrs	250lm	2700K	35x98	12	72
S8847	Box	3.4w	E14	✗	15000 hrs	250lm	2700K	35x100	12	72

CANDLE - 40W REPLACEMENT - 15,000 HOURS

Part Number	Pack	Watt.	Cap	Dimmable	Life	Lumen	Colour Temp.	Lamp Dims.	Inner Qty.	Outer Qty.
S8852	Box	5.9w	B22	✗	15000 hrs	470lm	2700K	38x110	12	72
S8903	Blister	5.9w	B22	✗	15000 hrs	470lm	2700K	38x112	12	72
S8904	Blister	5.9w	B15	✗	15000 hrs	470lm	2700K	38x112	12	72
S8907	Blister	6.2w	B15	✓	15000 hrs	470lm	2700K	38x112	12	72
S8853	Box	5.9w	E14	✗	15000 hrs	470lm	2700K	38x112	12	72
S8701	Blister	5.9w	E14	✗	15000 hrs	470lm	2700K	38x112	12	72
S8905	Blister	5.9w	E27	✗	15000 hrs	470lm	2700K	38x112	12	72
S8906	Blister	6.2w	E27	✓	15000 hrs	470lm	2700K	38x112	12	72
S8854	Box	6.2w	B22	✓	15000 hrs	470lm	2700K	38x110	12	72
S8910	Box	6.2w	B22	✓	15000 hrs	470lm	2700K	38x110	12	72
S8855	Box	6.2w	E14	✓	15000 hrs	470lm	2700K	38x112	12	72
S8856	Blister	6.2w	E14	✓	15000 hrs	470lm	2700K	38x112	12	72

Candle - OPAL FINISH

- Easy Replacement
- Automated production
- Flicker Free Design
- IC Drivers
- Even Light Distribution
- Instant Light
- True Retro Fit

- Replacements for 25w and 40w Incandescent
- 2700K Output
- Dimmable Alternatives
- Clear and Opal Alternatives



CANDLE - 25W REPLACEMENT - 15,000 HOURS

Part Number	Pack	Watt.	Cap	Dimmable	Life	Lumen	Colour Temp.	Lamp Dims.	Inner Qty.	Outer Qty.
S8843	Box	3.4w	B22	x	15000 hrs	250lm	2700K	35x98	12	72
S8844	Blister	3.4w	B22	x	15000 hrs	250lm	2700K	35x98	12	72
S8845	Box	3.4w	E14	x	15000 hrs	250lm	2700K	35x100	12	72
S8698	Blister	3.4w	E14	x	15000 hrs	250lm	2700K	35x100	12	72

CANDLE - 40W REPLACEMENT - 15,000 HOURS

Part Number	Pack	Watt.	Cap	Dimmable	Life	Lumen	Colour Temp.	Lamp Dims.	Inner Qty.	Outer Qty.
S8850	Box	5.9w	B22	x	15000 hrs	470lm	2700K	38x110	12	72
S8699	Blister	5.9w	B22	x	15000 hrs	470lm	2700K	38x110	12	72
S8878	Box	5.9w	B15	x	15000 hrs	470lm	2700K	38x110	12	72
S8879	Blister	5.9w	B15	x	15000 hrs	470lm	2700K	38x110	12	72
S8851	Box	5.9w	E14	x	15000 hrs	470lm	2700K	38x112	12	72
S8700	Blister	5.9w	E14	x	15000 hrs	470lm	2700K	38x112	12	72
S8880	Box	5.9w	E27	x	15000 hrs	470lm	2700K	38x112	12	72
S8881	Blister	5.9w	E27	x	15000 hrs	470lm	2700K	38x112	12	72

CANDLE - 40W REPLACEMENT - 25,000 HOURS

Part Number	Pack	Watt.	Cap	Dimmable	Life	Lumen	Colour Temp.	Lamp Dims.	Inner Qty.	Outer Qty.
S8113	Box	5.9w	B22	x	25000 hrs	470lm	2700K	38x110	12	72
S8114	Box	5.9w	E14	x	25000 hrs	470lm	2700K	38x112	12	72

- Easy Replacement
- Automated Production
- Flicker Free Design
- IC Drivers
- Even Light Distribution
- Instant Light
- True Retro Fit

- Replacements for 40w, 60w, 75w and 100w Incandescent
- 2700K Output
- Dimmable Alternatives
- Opal Finish



GLS - 40W REPLACEMENT - 15,000 HOURS

Part Number	Pack	Watt.	Cap	Dimmable	Life	Lumen	Colour Temp.	Lamp Dims.	Inner Qty.	Outer Qty.
S8857	Box	5.6w	B22	x	15000 hrs	470lm	2700K	60x109	12	72
S8702	Blister	5.6w	B22	x	15000 hrs	470lm	2700K	60x109	10	40
S8859	Box	5.6w	E27	x	15000 hrs	470lm	2700K	60x110	12	72
S8703	Blister	5.6w	E27	x	15000 hrs	470lm	2700K	60x110	10	40

GLS - 60W REPLACEMENT - 15,000 HOURS

Part Number	Pack	Watt.	Cap	Dimmable	Life	Lumen	Colour Temp.	Lamp Dims.	Inner Qty.	Outer Qty.
S8862	Box	9.2w	B22	x	15000 hrs	806lm	2700K	60x119	12	72
S8704	Blister	9.2w	B22	x	15000 hrs	806lm	2700K	60x119	10	40
S8863	Box	9.2w	E27	x	15000 hrs	806lm	2700K	60x120	12	72
S8705	Blister	9.2w	E27	x	15000 hrs	806lm	2700K	60x120	10	40
S9021	Blister	9.2w	E27	x	15000 hrs	806lm	4000K	60x120	10	40

GLS - 75W REPLACEMENT - 15,000 HOURS

Part Number	Pack	Watt.	Cap	Dimmable	Life	Lumen	Colour Temp.	Lamp Dims.	Inner Qty.	Outer Qty.
S8864	Box	11.6w	B22	x	15000 hrs	1060lm	2700K	60x109	12	72
S8883	Blister	11.6w	B22	x	15000 hrs	1060lm	2700K	60x109	10	40
S8706	Box	11.6w	E27	x	15000 hrs	1060lm	2700K	60x109	12	72
S8884	Blister	11.6w	E27	x	15000 hrs	1060lm	2700K	60x109	10	40

GLS - 100W REPLACEMENT - 15,000 HOURS

Part Number	Pack	Watt.	Cap	Dimmable	Life	Lumen	Colour Temp.	Lamp Dims.	Inner Qty.	Outer Qty.
S8865	Box	12.5w	B22	x	15000 hrs	1521lm	2700K	60x117	12	72
S8707	Box	12.5w	E27	x	15000 hrs	1521lm	2700K	60x117	12	72
S9022	Blister	12.5w	E27	x	15000 hrs	1521lm	2700K	60x117	10	40

GLS - 60W REPLACEMENT - 25,000 HOURS

Part Number	Pack	Watt.	Cap	Dimmable	Watt Equiv.	Lumen	Colour Temp.	Lamp Dims.	Inner Qty.	Outer Qty.
S8121	Box	9.2w	BC	x	60w	806lm	2700K	60x119	12	72
S8122	Box	9.2w	E27	x	60w	806lm	2700K	60x120	12	72

LED Tubes

- Full Glass Design with Protective Shatterproof Coating
- Includes LED Starter
- 4000K and 6500K Alternatives
- 4ft, 5ft and 6ft Alternatives

Strip Tubes

- Replacements for 30w and 50w Incandescent
- 2700K Output
- 221mm and 284mm alternatives
- Opal finish

- Easy Replacement
- Flicker Free Design
- Even Light Distribution
- True Retro Fit
- Automated Production
- IC Drivers
- Instant Light

G13



S15



4FT AND 5FT TUBES - 36W & 58W REPLACEMENT - 30,000 HOURS

Part Number	Pack	Watt.	Cap	Dimmable	Life	Lumen	Colour Temp.	Lamp Dims.	Inner Qty.	Outer Qty.
S8912	Box	18w	G13	x	30000 hrs	1800lm	4000K	4ft (1.2mtr)	n/a	12
S8913	Box	22w	G13	x	30000 hrs	2260lm	4000K	5ft (1.5mtr)	n/a	12
S8914	Box	18w	G13	x	30000 hrs	1800lm	6500K	4ft (1.2mtr)	n/a	12
S8915	Box	22w	G13	x	30000 hrs	2260lm	6500K	5ft (1.5mtr)	n/a	12

STRIP TUBE - 30W REPLACEMENT - 15,000 HOURS

Part Number	Pack	Watt.	Cap	Dimmable	Life	Lumen	Colour Temp.	Lamp Dims.	Inner Qty.	Outer Qty.
S9217	Box	3.5w	S15	x	15000 hrs	350lm	2700K	25x221	12	72

STRIP TUBE - 50W REPLACEMENT - 15,000 HOURS

Part Number	Pack	Watt.	Cap	Dimmable	Life	Lumen	Colour Temp.	Lamp Dims.	Inner Qty.	Outer Qty.
S9218	Box	5.5w	S15	x	15000 hrs	550lm	2700K	25x284	12	72

Filament LED

- Easy Replacement
- Flicker Free Design
- Even Light Distribution
- True Retro Fit
- Automated Production
- IC Drivers
- Instant Light

- Replacements for 25w, 40w and 60w Incandescent
- Dimmable Alternatives
- 2700K Output
- Clear and Opal Alternatives



GLS - 40W REPLACEMENT - 15,000 HOURS

Part Number	Pack	Watt.	Cap	Dimmable	Life	Lumen	Colour Temp.	Lamp Dims.	Inner Qty.	Outer Qty.
S9023	Blister	4.3w	B22	x	15000 hrs	470lm	2700K	60x109	10	40
S9024	Blister	4.3w	E27	x	15000 hrs	470lm	2700K	60x109	10	40

GLS - 60W REPLACEMENT - 15,000 HOURS

Part Number	Pack	Watt.	Cap	Dimmable	Life	Lumen	Colour Temp.	Lamp Dims.	Inner Qty.	Outer Qty.
S9025	Blister	6.2w	B22	x	15000 hrs	806lm	2700K	60x109	10	40
S9026	Blister	6.2w	E27	x	15000 hrs	806lm	2700K	60x109	10	40

CANDLE - 25W REPLACEMENT - 15,000 HOURS

Part Number	Pack	Watt.	Cap	Dimmable	Life	Lumen	Colour Temp.	Lamp Dims.	Inner Qty.	Outer Qty.
S9027	Blister	2.4w	E14	x	15000 hrs	250lm	2700K	35x98	12	72
S9028	Blister	2.4w	B22	x	15000 hrs	250lm	2700K	35x98	12	72

CANDLE - 40W REPLACEMENT - 15,000 HOURS

Part Number	Pack	Watt.	Cap	Dimmable	Life	Lumen	Colour Temp.	Lamp Dims.	Inner Qty.	Outer Qty.
S9029	Blister	4w	B22	x	15000 hrs	470lm	2700K	35x98	12	72
S9030	Blister	4w	E14	x	15000 hrs	470lm	2700K	35x98	12	72
S9031	Blister	4w	E27	x	15000 hrs	470lm	2700K	35x98	12	72

GOLF - 40W REPLACEMENT - 15,000 HOURS

Part Number	Pack	Watt.	Cap	Dimmable	Life	Lumen	Colour Temp.	Lamp Dims.	Inner Qty.	Outer Qty.
S9032	Blister	4w	E27	x	15000 hrs	470lm	2700K	45x75	12	72
S9033	Blister	4w	E14	x	15000 hrs	470lm	2700K	45x75	12	72

G4 & G9

- Exact Replacements for 15w and 18w Halogens
- 3000K Output

Reflector

- Replacements for 40w, 50w and 60w Incandescent
- 2700K Output

- Easy Replacement
- True retro fit
- IC Drivers
- Flicker Free Design
- Automated Production
- Instant light
- Even Light Distribution



G4 - 15W REPLACEMENT - 25,000 HOURS

Part Number	Pack	Watt.	Cap	Dimmable	Life	Lumen	Colour Temp.	Lamp Dims.	Inner Qty.	Outer Qty.
S8099	Blister	1.8w	G4	x	25000 hrs	130lm	3000K	8x35	12	72

G9 - 18W REPLACEMENT - 15,000 HOURS

Part Number	Pack	Watt.	Cap	Dimmable	Life	Lumen	Colour Temp.	Lamp Dims.	Inner Qty.	Outer Qty.
S8100	Blister	2w	G9	x	25000 hrs	180lm	3000K	14x48	12	72

R50 REFLECTOR - 40W REPLACEMENT - 25,000 HOURS

Part Number	Pack	Watt.	Cap	Dimmable	Life	Lumen	Colour Temp.	Lamp Dims.	Inner Qty.	Outer Qty.
S9014	Box	6w	E14	x	25000 hrs	430lm	2700K	50x83	12	72

R63 REFLECTOR - 50W REPLACEMENT - 25,000 HOURS

Part Number	Pack	Watt.	Cap	Dimmable	Life	Lumen	Colour Temp.	Lamp Dims.	Inner Qty.	Outer Qty.
S9015	Box	9.5w	E27	x	25000 hrs	600lm	2700K	63x106	12	72

R80 REFLECTOR - 60W REPLACEMENT - 25,000 HOURS

Part Number	Pack	Watt.	Cap	Dimmable	Life	Lumen	Colour Temp.	Lamp Dims.	Inner Qty.	Outer Qty.
S9016	Box	11w	E27	x	25000 hrs	800lm	2700K	80x114	12	48

GU10 & MR16

- 2000hr Lamp Life
- UV Stop Glass
- GU10 and MR16 (GU5.3) Caps
- Internal Fuse
- Clear Finish
- Dimmable
- 20w, 35w and 50w Incandescent Replacements



GU10 - 35W REPLACEMENT - 2,000 HOURS

Part Number	Pack	Watt.	Cap	Dimmable	Life	Lumen	Colour Temp.	Lamp Dims.	Inner Qty.	Outer Qty.
S4858	Box	28w	GU10	✓	2000hrs	200	2700K	50x55	10	200
S4859	Blister	28w	GU10	✓	2000hrs	200	2700K	50x55	10	50

GU10 - 50W REPLACEMENT - 2,000 HOURS

Part Number	Pack	Watt.	Cap	Dimmable	Life	Lumen	Colour Temp.	Lamp Dims.	Inner Qty.	Outer Qty.
S4860	Box	40w	GU10	✓	2000hrs	300	2700K	50x55	10	200
S4861	Blister	40w	GU10	✓	2000hrs	300	2700K	50x55	10	50

MR16 - 20W REPLACEMENT - 2,000 HOURS

Part Number	Pack	Watt.	Cap	Dimmable	Life	Lumen	Colour Temp.	Lamp Dims.	Inner Qty.	Outer Qty.
S5411	Box	16w	MR16	✓	2000hrs	170	2900K	35x35	10	200
S5412	Box	16w	MR16	✓	2000hrs	180	2900K	50x47	10	200

MR16 - 35W REPLACEMENT - 2,000 HOURS

Part Number	Pack	Watt.	Cap	Dimmable	Life	Lumen	Colour Temp.	Lamp Dims.	Inner Qty.	Outer Qty.
S5413	Box	28w	MR16	✓	2000hrs	300	3000K	50x47	10	200

MR16 - 50W REPLACEMENT - 2,000 HOURS

Part Number	Pack	Watt.	Cap	Dimmable	Life	Lumen	Colour Temp.	Lamp Dims.	Inner Qty.	Outer Qty.
S4856	Box	40w	MR16	✓	2000hrs	530	3000K	50x47	10	200
S4857	Blister	40w	MR16	✓	2000hrs	530	3000K	50x47	10	100

- 2000hr Lamp Life
- B22, B15, E27 and SES Caps
- Clear Finish
- Dimmable
- UV Stop Glass
- Internal Fuse
- 40w and 60w Incandescent Replacements



GOLF - 40W REPLACEMENT - 2,000 HOURS

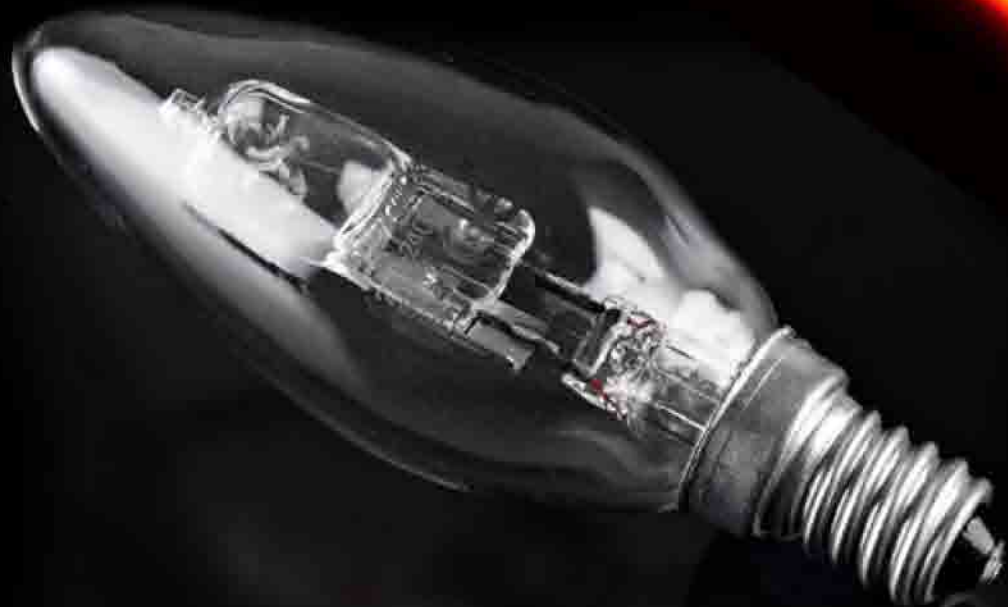
Part Number	Pack	Watt.	Cap	Dimmable	Life	Lumen	Colour Temp.	Lamp Dims.	Inner Qty.	Outer Qty.
S4878	Box	33W	B22	✓	2000hrs	460	2700K	45x75	10	100
S4880	Box	33W	B15	✓	2000hrs	460	2700K	45x75	10	100
S4882	Box	33W	E27	✓	2000hrs	460	2700K	45x75	10	100
S4884	Box	33W	E14	✓	2000hrs	460	2700K	45x75	10	100
S4879	Blister	33W	B22	✓	2000hrs	460	2700K	45x75	10	100
S4881	Blister	33W	B15	✓	2000hrs	460	2700K	45x75	10	100
S4883	Blister	33W	E27	✓	2000hrs	460	2700K	45x75	10	100
S4885	Blister	33W	E14	✓	2000hrs	460	2700K	45x75	10	100

GOLF - 60W REPLACEMENT - 2,000 HOURS

Part Number	Pack	Watt.	Cap	Dimmable	Life	Lumen	Colour Temp.	Lamp Dims.	Inner Qty.	Outer Qty.
S5422	Box	48W	B22	✓	2000hrs	750	2700K	45x75	10	100
S5423	Box	48W	B15	✓	2000hrs	750	2700K	45x75	10	100
S5424	Box	48W	E27	✓	2000hrs	750	2700K	45x75	10	100
S5425	Box	48W	E14	✓	2000hrs	750	2700K	45x75	10	100
S5967	Blister	48W	B22	✓	2000hrs	750	2700K	45x75	10	100
S5968	Blister	48W	B15	✓	2000hrs	750	2700K	45x75	10	100
S5969	Blister	48W	E27	✓	2000hrs	750	2700K	45x75	10	100
S5970	Blister	48W	E14	✓	2000hrs	750	2700K	45x75	10	100

Candle

- 2000hr Lamp Life
- B22, B15, E27 and SES Caps
- Clear Finish
- Dimmable
- UV Stop Glass
- Internal Fuse
- 40w and 60w Incandescent Replacements



**ECO
HALOGEN**

CANDLE - 40W REPLACEMENT - 2,000 HOURS

Part Number	Pack	Watt.	Cap	Dimmable	Life	Lumen	Colour Temp.	Lamp Dims.	Inner Qty.	Outer Qty.
S4870	Box	33W	B22	✓	2000hrs	460	2700K	35x95	10	100
S4872	Box	33W	B15	✓	2000hrs	460	2700K	35x95	10	100
S4874	Box	33W	E27	✓	2000hrs	460	2700K	35x95	10	100
S4876	Box	33W	E14	✓	2000hrs	460	2700K	35x95	10	100
S4871	Blister	33W	B22	✓	2000hrs	460	2700K	35x95	10	100
S4873	Blister	33W	B15	✓	2000hrs	460	2700K	35x95	10	100
S4875	Blister	33W	E27	✓	2000hrs	460	2700K	35x95	10	100
S4877	Blister	33W	E14	✓	2000hrs	460	2700K	35x95	10	100

CANDLE - 60W REPLACEMENT - 2,000 HOURS

Part Number	Pack	Watt.	Cap	Dimmable	Life	Lumen	Colour Temp.	Lamp Dims.	Inner Qty.	Outer Qty.
S5418	Box	48W	B22	✓	2000hrs	750	2700K	35x95	10	100
S5419	Box	48W	B15	✓	2000hrs	750	2700K	35x95	10	100
S5420	Box	48W	E27	✓	2000hrs	750	2700K	35x95	10	100
S5421	Box	48W	E14	✓	2000hrs	750	2700K	35x95	10	100
S5963	Blister	48W	B22	✓	2000hrs	750	2700K	35x95	10	100
S5964	Blister	48W	B15	✓	2000hrs	750	2700K	35x95	10	100
S5965	Blister	48W	E27	✓	2000hrs	750	2700K	35x95	10	100
S5966	Blister	48W	E14	✓	2000hrs	750	2700K	35x95	10	100

- 2000hr Lamp Life
- UV Stop Glass
- B22 and E27 Caps
- Internal Fuse
- Clear Finish
- 40w, 60w, 100w and 150w Incandescent Replacements
- Dimmable



GLS - 40W REPLACEMENT - 2,000 HOURS

Part Number	Pack	Watt.	Cap	Dimmable	Life	Lumen	Colour Temp.	Lamp Dims.	Inner Qty.	Outer Qty.
S4862	Box	33w	E27	✓	2000hrs	460	2700K	55x90	10	100
S4863	Box	33w	B22	✓	2000hrs	460	2700K	55x90	10	100
S8685	Blister	33w	E27	✓	2000hrs	460	2700K	55x90	10	100

GLS - 60W REPLACEMENT - 2,000 HOURS

Part Number	Pack	Watt.	Cap	Dimmable	Life	Lumen	Colour Temp.	Lamp Dims.	Inner Qty.	Outer Qty.
S4864	Box	48w	E27	✓	2000hrs	750	2700K	55x90	10	100
S4865	Box	48w	B22	✓	2000hrs	750	2700K	55x90	10	100
S8686	Blister	48w	E27	✓	2000hrs	750	2700K	55x90	10	100
S8687	Blister	48w	B22	✓	2000hrs	750	2700K	55x90	10	100

GLS - 100W REPLACEMENT - 2,000 HOURS

Part Number	Pack	Watt.	Cap	Dimmable	Life	Lumen	Colour Temp.	Lamp Dims.	Inner Qty.	Outer Qty.
S4866	Box	80w	E27	✓	2000hrs	1400	2700K	60x105	10	100
S4867	Box	80w	B22	✓	2000hrs	1400	2700K	60x105	10	100
S8688	Blister	80w	E27	✓	2000hrs	1400	2700K	60x105	10	100

GLS - 150W REPLACEMENT - 2,000 HOURS

Part Number	Pack	Watt.	Cap	Dimmable	Life	Lumen	Colour Temp.	Lamp Dims.	Inner Qty.	Outer Qty.
S4868	Box	116w	E27	✓	2000hrs	2135	2700K	60x105	10	100
S4869	Box	116w	B22	✓	2000hrs	2135	2700K	60x105	10	100

G4 & G9

- 2000hr Lamp Life
- Dimmable
- Internal Fuse (G9)
- G4 and G9 Caps
- UV Stop Glass
- 20w and 40w Incandescent Replacements
- Clear Finish

Reflector

- 2000hr Lamp Life
- Dimmable
- Internal Fuse
- E27 and E14 Caps
- UV Stop Glass
- 40w and 60w Incandescent Replacements
- Clear Finish



G4 - 20W REPLACEMENT - 2,000 HOURS

Part Number	Pack	Watt.	Cap	Dimmable	Life	Lumen	Colour Temp.	Lamp Dims.	Inner Qty.	Outer Qty.
S4850	Box	14w	G4	✓	2000hrs	235	2900K	8x32	50	1000
S4851	Blister	14w	G4	✓	2000hrs	235	2900K	8x32	10	500

G9 - 40W REPLACEMENT - 2,000 HOURS

Part Number	Pack	Watt.	Cap	Dimmable	Life	Lumen	Colour Temp.	Lamp Dims.	Inner Qty.	Outer Qty.
S5409	Box	33w	G9	✓	2000hrs	460	2700K	13x47	50	1000
S5410	Blister	33w	G9	✓	2000hrs	460	2700K	13x47	10	500

R50 REFLECTOR - 40W REPLACEMENT - 2,000 HOURS

Part Number	Pack	Watt.	Cap	Dimmable	Life	Lumen	Colour Temp.	Lamp Dims.	Inner Qty.	Outer Qty.
S5426	Box	33W	E14	✓	2000hrs	160	2700K	50x87	10	100
S5189	Blister	33W	E14	✓	2000hrs	160	2700K	50x87	10	60

R63 REFLECTOR - 60W REPLACEMENT - 2,000 HOURS

Part Number	Pack	Watt.	Cap	Dimmable	Life	Lumen	Colour Temp.	Lamp Dims.	Inner Qty.	Outer Qty.
S5427	Box	48W	E27	✓	2000hrs	280	2700K	64x104	10	100
S5190	Blister	48W	E27	✓	2000hrs	280	2700K	64x104	10	60

R80 REFLECTOR - 60W REPLACEMENT - 2,000 HOURS

Part Number	Pack	Watt.	Cap	Dimmable	Life	Lumen	Colour Temp.	Lamp Dims.	Inner Qty.	Outer Qty.
S5428	Box	48W	E27	✓	2000hrs	300	2700K	80x118	10	100
S5191	Blister	48W	E27	✓	2000hrs	300	2700K	80x118	10	60

Linear

- 2000hr Lamp Life
- UV Stop Glass
- R7 Cap
- IC Internal Fuse
- Clear Finish
- 150w, 200w, 300w and 500w Incandescent Replacements
- Dimmable



LINEAR - 100W REPLACEMENT - 2,000 HOURS

Part Number	Pack	Watt.	Cap	Dimmable	Life	Lumen	Colour Temp.	Lamp Dims.	Inner Qty.	Outer Qty.
S5773	Box	80w	R7	✓	2000hrs	1400	2900K	8x78	50	1000

LINEAR - 150W REPLACEMENT - 2,000 HOURS

Part Number	Pack	Watt.	Cap	Dimmable	Life	Lumen	Colour Temp.	Lamp Dims.	Inner Qty.	Outer Qty.
S5414	Box	120w	R7	✓	2000hrs	2250	2950K	8x78	50	500
S5160	Blister	120w	R7	✓	2000hrs	2250	2950K	8x78	10	100

LINEAR - 200W REPLACEMENT - 2,000 HOURS

Part Number	Pack	Watt.	Cap	Dimmable	Life	Lumen	Colour Temp.	Lamp Dims.	Inner Qty.	Outer Qty.
S5415	Box	160w	R7	✓	2000hrs	3150	2950K	8x118	50	500
S5161	Blister	160w	R7	✓	2000hrs	3150	2950K	8x118	10	100

LINEAR - 300W REPLACEMENT - 2,000 HOURS

Part Number	Pack	Watt.	Cap	Dimmable	Life	Lumen	Colour Temp.	Lamp Dims.	Inner Qty.	Outer Qty.
S5416	Box	230w	R7	✓	2000hrs	4700	2950K	8x118	50	500
S5162	Blister	230w	R7	✓	2000hrs	4700	2950K	8x118	10	100

LINEAR - 500W REPLACEMENT - 2,000 HOURS

Part Number	Pack	Watt.	Cap	Dimmable	Life	Lumen	Colour Temp.	Lamp Dims.	Inner Qty.	Outer Qty.
S5417	Box	400w	R7	✓	2000hrs	8700	2950K	8x118	50	500
S5163	Blister	400w	R7	✓	2000hrs	8700	2950K	8x118	10	100



© 2015 Energizer. Energizer and certain graphic designs are trademarks of Energizer Brands, LLC and related subsidiaries and are used under license by Supreme Imports. All other brand names are trademarks of their respective owners. Neither Supreme Imports nor Energizer Brands, LLC is affiliated with the respective owners of their trademarks.

D-LINE®



Cable Management

Where time, safety and appearance matter

Cable Management

Where time, safety and appearance matter

Contents

About D-Line	3
Decorative Trunking (overview)	4
½ round Mini Trunking	6
½ round Micro Trunking	8
½ round 50x25mm Trunking	9
¼ round Trunking	10
Floor Trim	11
Guide to trunking & accessories	12
Trunking & accessories product codes	14
Safe-D® Fire Rated Clips	16
Medium Duty Linkable Floor Covers	18
Light Duty Floor Cover	19
Cable Tidy Pre-Split Tube	20
Cable Tidy Spiral Wrap	21
Cable Tidy Units	22
Cable Tidy Bases	23
Cable Tidy Clips	23
Cable Tidy Twists	23
Cable Tidy Band	23

D-LINE

D-Line is a UK company with a global reputation for innovative cable management products, that satisfy popular demands wherever **time**, **safety** and **appearance** matter.

Time...

Use D-Line trunkings to contain cables when channelling surfaces or lifting floors is impractical. The patented hinged & click-lock lids combine to make D-Line trunkings quick and easy to install.

Safety...

In event of fire, Safe-D® Clips hold cables secure for at least 2 hours at 930°C - to prevent cables dropping and so eliminating the danger of entanglement on escape routes.

D-Line Floor Cable Covers protect cables and minimise risks of trips and falls; our Cable Tidy range addresses other hazards of trailing wires.

Appearance...

The shapes and style of D-Line products subtly blend with decor, or can create a striking feature!

Since pioneering iconic D-shaped trunkings we've developed a broad range of cable management solutions, designed to save time and cost, reduce safety concerns, while looking great in-situ. All are fully safety tested and certified to highest quality standards.

½ Round Trunkings



p6

¼ Round Trunkings



p10

Safe-D® Clips



p16

Floor Cable Covers



p18

Cable Tidy Tubes



p20

Spiral Wraps



p21

Cable Tidy Units



p22

D-Line Decorative Trunking

"D-Line helps us win jobs, saving time and the hassle of recessing cables, providing a quality finish not possible with alternative trunkings"

Feature	Benefit
 <p>Designer shapes</p>	<ul style="list-style-type: none"> • Making surface installations a preferred option • Saves channelling walls & lifting floors • Tapered designs give subtle appearance
 <p>½ round profiles</p>	<ul style="list-style-type: none"> • Shape blends above skirting... or neatly hides cable drops • Alternative sizes satisfy popular demands Available as (width x height) 16x8mm, 30x15mm, 40x20mm, 50x25mm & 60x30mm • Gentle on impact and easier to clean
 <p>¼ round profiles</p>	<ul style="list-style-type: none"> • Available in (w x h) 22x22mm & 30x30mm • 22x22mm makes the ultimate floor trim (see p11) • Can also be used as cornice or coving
 <p>PVC</p>	<ul style="list-style-type: none"> • Self extinguishing • UV stabilised • Lightweight & easy to cut • Stable between -30°C to +60°C • Satisfies BS EN 50085-1:2005 
 <p>Patented hinge & click-lock lid</p>	<ul style="list-style-type: none"> • Single-piece design... for quick & easy handling • Lids will never peel or detach - maintenance friendly • Tensioned hinge provides a cable retainer to keep cables in position during installation • Easy to later add or remove cables • User friendly in tight spaces (machines, furniture etc) • Hinge acts as a shock absorber on impact
 <p>Film covered lengths</p>	<ul style="list-style-type: none"> • Keeps lengths pristine before installation • Environmentally friendly packaging
 <p>All lengths have self-adhesive foam backing</p>	<ul style="list-style-type: none"> • Simply peel & stick - Quick & easy to install • Can be drilled also

Feature

Benefit



Paintable

- Can blend with any decor

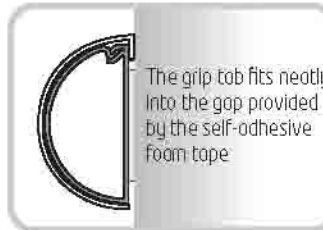
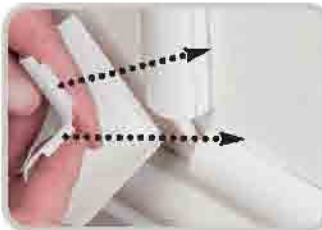
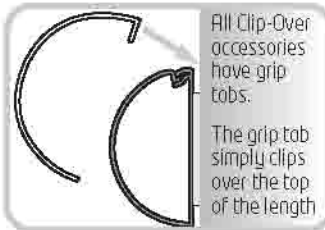


Clip-Over & Smooth Fit accessories

- No need to mitre cut corners
- Provide perfect finish
- Clip-Over available for 30x15mm & 22x22mm profiles

Clip-Over Accessories (for 30x15mm & 22x22mm profiles)

Design forgives rough cuts and imprecise measuring



Smooth Fit Accessories (all sizes)

Internal shoulders fit securely under lengths



D-Line Decorative Trunking is available in a range of colours

see pages 12-15 for more details



"The most innovative cable management development in decades... without the need to spoil surfaces, D-Line makes a better choice all round!"



1/2 Round Decorative Trunking

Mini Trunking (30x15mm)

Use D-Line 30x15mm (width x height) Mini Trunking to contain cables for new sockets (eg 2x 2.5mm Twin & Earth); lighting installations (eg 2x 1.5mm T&E); drops to switches (2x 1.5mm T&E) Fire Performance cables (eg 2x 1.5mm 2c FP); also Cat 5 cables (up to 4); Co-Axial and Broadband cables etc.



Blends above skirting



Use with SAFE-D30 Clips for fire and security installations and to secure cables in escape routes - see p16-17



For service providers, D-Line makes the shortest cable route an attractive option



fit



fix



fasten

D-Line surface boxes feature easy push-out tabs (see p13)



**Use accessories to connect neatly
with popular fittings**



**Ideal for audio visual, telecoms
& network installations**



Case Study

When 20,000 hotel rooms needed to hide cables for new heating controllers, D-Line Mini Trunking proved the perfect choice...

Using D-Line saved a small fortune compared to the cost of channelling the walls, then re-plastering and re-decorating.

Aside the noise and disruption, trying to recess the cabling would have put rooms out-of-service. However traditional trunking did not look suitable for a hotel chain with a reputation for comfort and style.

Cables fed from wall-mounted heaters to wall-mounted controllers were concealed in D-Line Mini Trunking which blended with the skirting and, when necessary, up-and-around bedheads.

A cut-length rose up to the heater via a clip-over Equal Tee, while clip-over Internal Bends made internal corner connections quick and easy. The Flat Bend required was the smooth-fit version, as the secure Internal tabs were favoured to eliminate future maintenance concerns, given that this part was most likely to be bumped by guests' baggage.

The ½ round shape of the length rising up to the wall-mounted controller was preferred also for its impact resistance, the lack of sharp edge a distinct benefit (compared to traditional sharp edge trunking).

The D-Line Cutting Tool was used throughout, saving time and leaving no dust.

The self-adhesive tape was used to attach the lengths to the walls, with a screw-fixing and plug then inserted 750mm from each end.

The result was 20,000 installations using 200km - all easy to fit, quick to install and blending with decor. Further details on request.



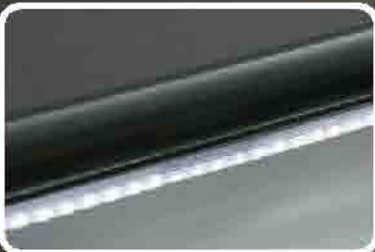
Micro Trunking (16x8mm)

D-Line Micro Trunking is ideal for hiding speaker, telephone and alarm cables. The ½ round low-profile and tapered design can disappear with subtle aesthetics whatever the surface.



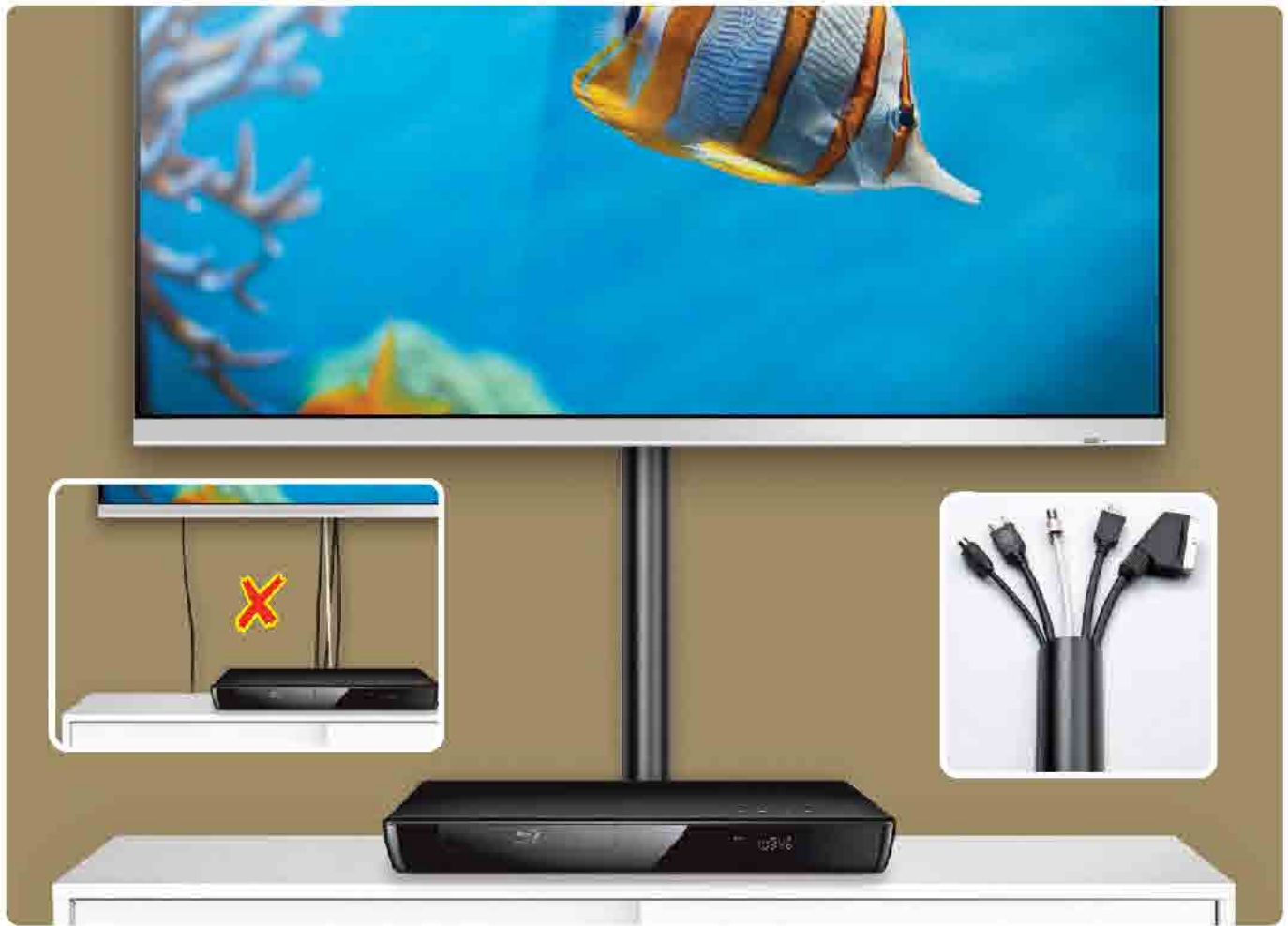
Frosted profiles available for special order - ideal to contain & protect LED lighting strips while providing glare control & a means to drill & fix to surfaces

For display, safety, guidance and ambient lighting



50x25mm Trunking

D-Line 50x25mm Trunking contains cables in a stylish $\frac{1}{2}$ round design that saves the time and trouble of channelling, then having to repair walls. Plus there's the on-going benefit of the hinged and click-lock lid, making it easy to add or remove cables later. Available in a choice of colours (see p12-15) or can be painted...





1/4 Round Trunking

D-Line 1/4 round Trunking makes a neat choice to hide cables between two 90° surfaces. These 1/4 Round profiles are popular around floors, worktops, covings & cornices.

22x22mm Trunking



30x30mm Trunking



pic D-Line 30x30mm 1/4 Round Trunking as coving/cornice. Reducing Tee connects to 30x15mm Mini Trunking for lighting & smoke alarm cables. Ref Social Housing rewires



By eliminating the need for skirting 30x30mm Trunking can provide an edging and a cable path

Floor Trim

D-Line Floor Trim provides the ultimate floor edging system... clip-over accessories eliminate the need for precise end-to-end measuring and mitre-cuts, making D-Line ¼ Round up to 50% quicker to install than traditional scotias - while providing a cable path! A choice of finishes are available.



Stainable Version

accepts woodstains to match darker floors



Light Oak Wood-Grain Effect also available

Matching clip-over corner accessories (with congruent wood-grain effects) achieved by patented process technologies



"D-Line have considered every step to make floor trim easier to fit. No longer a time consuming job, we now use it as standard"

Guide to Trunking & Accessories

Colours...

- W** White
- M** Magnolia
- A** Aluminium
- B** Black
- O** Oak Effect
- R** Red
- P** Premium Wood*
(stainable 22x22 only)
- F1** Wood Grain Effect
(22x22 only)

Illustrations not to scale

shape & size (LxWxH)

Trunking Lengths

- 3m Length
- 2m Length
- 1.5m Length
- 1.2m Length
- 1m Length
- 3m Self Adhesive Divider
suitable for all colours

Clip-Over Accessories

- Flat Bend
- Internal Bend
- External Bend
- Equal Tee
- Door Top Bend
- Inlet/Outlet Coupler (22x22 only)

Smooth Fit Accessories

- Flat Bend
- Internal Bend
- External Bend
- Equal Tee
- Cable Outlet
- Cable Inlet
- Reducing Tee (to 30x15mm)
- Coupler
- End Cap
- End Cap Left (¼ round only)
- End Cap Right (¼ round only)
- Corner Tee
- Box Adaptor Tee
- 30x15mm Box Adaptor
- Patress Adaptor
- Circular Adaptor

Other Accessories

- SAFE-D30 (BS5839 part 1)
- SAFE-D40 (BS5839 part 1)
- SAFE-D50 (BS5839 part 1)
- Ratchet Cutting Tool

- 28mm Single Surface box
- 28mm Twin Surface box
- 35mm Single Surface box
- 35mm Twin Surface box

	60x30mm	50x25mm	40x20mm	30x15mm	16x8mm	22x22mm	30x30mm
3m Length							
2m Length							
1.5m Length							
1.2m Length							
1m Length							
3m Self Adhesive Divider							
Clip-Over Accessories							
Flat Bend						use internal bend	
Internal Bend							
External Bend							
Equal Tee							
Door Top Bend							
Inlet/Outlet Coupler							
Smooth Fit Accessories							
Flat Bend							
Internal Bend						use flat bend	use flat bend
External Bend							
Equal Tee							
Cable Outlet					use equal tee		
Cable Inlet							
Reducing Tee							
Coupler							
End Cap							
End Cap Left							
End Cap Right							
Corner Tee							
Box Adaptor Tee							
30x15mm Box Adaptor							
Patress Adaptor							
Circular Adaptor							
Other Accessories							
SAFE-D30							
SAFE-D40							
SAFE-D50							
Ratchet Cutting Tool							

* Premium wood accessories are brown finish, but can be stained to achieve best colour coordination to stained lengths (key's surface of accessory with fine abrasive prior to staining)

Clip-Over Accessories



Smooth Fit Accessories



1/2 Round Clip-Over Accessories (30x15mm only)



Internal Bend
Join lengths around 90 degree inside corners.



External Bend
Join lengths around 90 degree outside corners.



Flat Bend
Change direction by 90 degrees on flat surfaces.



Equal Tee
Use to clip-over 3 lengths of same profile.



Door Top Bend
Change direction by 90 degrees around frame tops.

1/4 Round Clip-Over Accessories (22x32mm only)



Internal Bend
Join lengths around 90 degree inside corners.



External Bend
Join lengths around 90 degree outside corners.



Cable Inlet/Outlet
Use to provide cable entry/exit point between 2 lengths.



Use with smooth-fit Couplers & End Caps

1/2 Round Smooth Fit Accessories



Internal Bend
Join lengths around 90 degree inside corners.



External Bend
Join lengths around 90 degree outside corners.



Flat Bend
Change direction by 90 degrees on flat surfaces.



Equal Tee
Use to join 3 lengths of same profile.



Coupler
Join 2 lengths of same profile on flat surface.



End Cap
Neatly finish open ends.



Circular Adaptor
Connect 30x15mm Mini Trunking to flat edge surfaces with 20mm Ø knock-outs.



Pattress Adaptor
Connect 30x15mm Mini Trunking to round surface pattresses.



Cable Inlet/Outlet
Takes cables in or out of a 30x15mm Mini Trunking installation. Use between lengths on straight runs.



Box Adaptor
For use with D-Line surface Socket Boxes.



Box Adaptor Tee
For use with D-Line surface Socket Boxes.



Reducing Tee
Connect to 30x15mm Mini Trunking.

1/4 Round Smooth Fit Accessories



Internal Bend
Join lengths around 90 degree inside corners.



External Bend
Join lengths around 90 degree outside corners.



Cable Inlet
Use to provide cable entry point between 2 lengths.



Cable Outlet
Use to provide cable exit point between 2 lengths.



Coupler
Joins 2 lengths on flat surfaces.



End Cap
Neatly finish open ends (left & right versions apply).

Other Accessories



Single Surface Socket Box
For use with 30x15mm D-Line Mini Trunking... Available in 28mm & 35mm depth.



Twin Surface Socket Box
For use with 30x15mm D-Line Mini Trunking... Available in 28mm & 35mm depth.



SAFE-D30 Clip
Fire rated cable clip for use with 30x15mm D-Line & 25mm+ wide traditional trunkings.



SAFE-D40 Clip
Fire rated cable clip for use with 40x20mm D-Line & 40mm+ wide traditional trunkings.



SAFE-D50 Clip
Fire rated cable clip for use with 60x30mm D-Line & 50mm+ wide traditional trunkings.



Ratchet Cutting Tool
Use to cut up to 40mm wide D-Line Trunking.

Trunking & Accessories

Product Codes

½ Round 16x8mm Micro Trunking

	White	Magnolia	Aluminium Effect	Black	Oak	
Lengths	3.0m Length	R3D1608W	R3D1608M	R3D1608A	R3D1608B	R3D1608O
	2.0m Length	R2D1608W	R2D1608M	R2D1608A	R2D1608B	R2D1608O
	1.5m Length	R15D1608W	R15D1608M	R15D1608A	R15D1608B	R15D1608O
Smooth Fit Accessories	Smooth Fit Internal Bend	IB1608W	IB1608M	IB1608A	IB1608B	IB1608O
	Smooth Fit External Bend	EB1608W	EB1608M	EB1608A	EB1608B	EB1608O
	Smooth Fit Flat Bend	FB1608W	FB1608M	FB1608A	FB1608B	FB1608O
	Smooth Fit Equal Tee	NET1608W	NET1608M	NET1608A	NET1608B	NET1608O
	Smooth Fit Coupler	NCP1608W	NCP1608M	NCP1608A	NCP1608B	NCP1608O
	Smooth Fit End Cap	EC1608W	EC1608M	EC1608A	EC1608B	EC1608O

½ Round 30x15mm Mini Trunking

	White	Magnolia	Aluminium Effect	Black	Oak	Red	
Lengths	3.0m Length	R3D3015W	R3D3015M	R3D3015A	R3D3015B	R3D3015O	R3D3015R
	2.0m Length	R2D3015W	R2D3015M	R2D3015A	R2D3015B	R2D3015O	-
	1.5m Length	R5FT3015W	R5FT3015M	R5FT3015A	R5FT3015B	-	-
	3.0m Self Adhesive Internal Divider	3AD3015L	-	-	-	-	-
Clip-Over Accessories	Clip-Over Internal Bend	FLIB3015W	FLIB3015M	FLIB3015A	FLIB3015B	FLIB3015O	FLIB3015R
	Clip-Over External Bend	FLEB3015W	FLEB3015M	FLEB3015A	FLEB3015B	FLEB3015O	FLEB3015R
	Clip-Over Flat Bend	FLFB3015W	FLFB3015M	FLFB3015A	FLFB3015B	FLFB3015O	FLFB3015R
	Clip-Over Door Top Bend	FLDB3015W	FLDB3015M	FLDB3015A	FLDB3015B	FLDB3015O	FLDB3015R
	Clip-Over Equal Tee	FLET3015W	FLET3015M	FLET3015A	FLET3015B	FLET3015O	FLET3015R
Smooth Fit Accessories	Smooth Fit Internal Bend	IB3015W	IB3015M	IB3015A	IB3015B	IB3015O	IB3015R
	Smooth Fit External Bend	EB3015W	EB3015M	EB3015A	EB3015B	EB3015O	EB3015R
	Smooth Fit Flat Bend	FB3015W	FB3015M	FB3015A	FB3015B	FB3015O	FB3015R
	Smooth Fit Equal Tee	ET3015W	ET3015M	ET3015A	ET3015B	ET3015O	ET3015R
	Smooth Fit Cable Outlet	CO3015W	CO3015M	CO3015A	CO3015B	CO3015O	-
	Smooth Fit Coupler	CP3015W	CP3015M	CP3015A	CP3015B	CP3015O	CP3015R
	Smooth Fit End Cap	EC3015W	EC3015M	EC3015A	EC3015B	EC3015O	EC3015R
	Smooth Fit Pattress Adaptor	PA3015W	-	-	-	-	-
	Smooth Fit Circular Adaptor	CA3015W	-	-	-	-	CA3015R
	Smooth Fit Box Adaptor	BA3015W	BA3015M	BA3015A	BA3015B	BA3015O	BA3015R
Smooth Fit Box Adaptor Tee	AT3015W	AT3015M	AT3015A	AT3015B	AT3015O	AT3015R	
Surface Boxes	28mm Deep Single Surface Box	SSB28W	SSB28M	SSB28A	SSB28B	SSB28O	SSB28R
	28mm Deep Twin Surface Box	TSB28W	TSB28M	TSB28A	TSB28B	TSB28O	-
	35mm Deep Single Surface Box	SSB35W	-	-	-	-	SSB35R
	35mm Deep Twin Surface Box	TSB35W	-	-	-	-	-

½ Round 40x20mm Trunking

	White	
Lengths	3.0m Length	R3D4020W
	2.0m Length	R2D4020W
	1.2m Length	R1.2D4020W
Smooth Fit Accessories	Smooth Fit Internal Bend	IB4020W
	Smooth Fit External Bend	EB4020W
	Smooth Fit Flat Bend	FB4020W
	Smooth Fit Equal Tee	ET4020W
	Smooth Fit Coupler	CP4020W
	Smooth Fit End Cap	EC4020W
Smooth Fit Box Adaptor Tee	AT4020W	





1/2 Round 50x25mm Trunking

	White	Magnolia	Aluminium Effect	Black	Oak	
Lengths	3.0m Length	R3D5025W	R3D5025M	R3D5025A	R3D5025B	R3D5025O
	2.0m Length	R2D5025W	R2D5025M	R2D5025A	R2D5025B	R2D5025O
	1.5m Length	R5FT5025W	R5FT5025M	R5FT5025A	R5FT5025B	-
	1.0m Length	R1D5025W	R1D5025M	R1D5025A	R1D5025B	R1D5025O
	3.0m Self Adhesive Internal Divider	3AD5025L	-	-	-	-
Smooth Fit Accessories	Smooth Fit Internal Bend	IB5025W	IB5025M	IB5025A	IB5025B	IB5025O
	Smooth Fit External Bend	EB5025W	EB5025M	EB5025A	EB5025B	EB5025O
	Smooth Fit Flat Bend	FB5025W	FB5025M	FB5025A	FB5025B	FB5025O
	Smooth Fit Equal Tee	ET5025W	ET5025M	ET5025A	ET5025B	ET5025O
	Smooth Fit Coupler	CP5025W	CP5025M	CP5025A	CP5025B	CP5025O
	Smooth Fit End Cap	EC5025W	EC5025M	EC5025A	EC5025B	EC5025O
	Smooth Fit Reducing Tee (to 30x15mm)	RT5030W	RT5030M	RT5030A	RT5030B	RT5030O



1/2 Round 60x30mm Trunking

	White	Magnolia	Aluminium Effect	Black	
Lengths	3.0m Length	R3D6030W	R3D6030M	R3D6030A	R3D6030B
	2.0m Length	R2D6030W	R2D6030M	R2D6030A	R2D6030B
	1.5m Length	R15D6030W	R15D6030M	R15D6030A	R15D6030B
	3.0m Self Adhesive Internal Divider	3AD6030L	-	-	-
Smooth Fit Accessories	Smooth Fit Internal Bend	IB6030W	IB6030M	IB6030A	IB6030B
	Smooth Fit External Bend	EB6030W	EB6030M	EB6030A	EB6030B
	Smooth Fit Flat Bend	FB6030W	FB6030M	FB6030A	FB6030B
	Smooth Fit Equal Tee	ET6030W	ET6030M	ET6030A	ET6030B
	Smooth Fit Cable Outlet	CO6030W	CO6030M	CO6030A	CO6030B
	Smooth Fit Coupler	CP6030W	CP6030M	CP6030A	CP6030B
	Smooth Fit End Cap	EC6030W	EC6030M	EC6030A	EC6030B



1/4 Round 22x22mm Trunking & Floor Trim

	White	Oak Effect	Stainable Wood	Wood Grain Effect	
Lengths	3.0m Length	R3D22QSW	R3D22QSO	-	
	2.0m Length	R2D22QSW	R2D22QSO	R2D22QSP	R2D22QSF1
Clip-Over Accessories	Clip-Over Internal / Flat Bend	FLIB22QSW	FLIB22QSO	FLIB22QSP	FLIB22QSF1
	Clip-Over External Bend	FLEB22QSW	FLEB22QSO	FLEB22QSP	FLEB22QSF1
	Clip-Over Inlet/Outlet	FLCO22QSW	FLCO22QSO	FLCO22QSP	FLCO22QSF1
Smooth Fit Accessories	Smooth Fit Internal / Flat Bend	FB22QSW	FB22QSO	FB22QSP	-
	Smooth Fit External Bend	EB22QSW	EB22QSO	EB22QSP	-
	Smooth Fit Cable Inlet	CI22QSW	CI22QSO	CI22QSP	-
	Smooth Fit Cable Outlet	CO22QSW	CO22QSO	CO22QSP	-
	Smooth Fit Coupler	CP22QSW	CP22QSO	CP22QSP	-
	Smooth Fit End Cap (left)	EC22QSW/L	EC22QSO/L	EC22QSP/L	-
	Smooth Fit End Cap (right)	EC22QSW/R	EC22QSO/R	EC22QSP/R	-



1/4 Round 30x30mm Trunking

	White	Magnolia	Oak Effect	
Lengths	3.0m Length	R3D30QSW	R3D30QSM	-
	2.0m Length	R2D30QSW	R2D30QSM	R2D30QSO
Smooth Fit Accessories	Smooth Fit Internal / Flat Bend	FB30QSW	FB30QSM	FB30QSO
	Smooth Fit External Bend	EB30QSW	EB30QSM	EB30QSO
	Smooth Fit Cable Outlet	CO30QSW	CO30QSM	CO30QSO
	Smooth Fit Corner Tee	CT30QSW	-	-
	Smooth Fit Coupler	CP30QSW	CP30QSM	CP30QSO
	Smooth Fit Box Adaptor	AT30QSW	AT30QSM	AT30QSO
	Smooth Fit Reducing Tee (to 30x15)	RT30QSW	RT30QSM	RT30QSO
	Smooth Fit End Cap (left)	EC30QSW/L	EC30QSM/L	EC30QSO/L
	Smooth Fit End Cap (right)	EC30QSW/R	EC30QSM/R	EC30QSO/R

Safe-D® Fire Rated Clips

Safe-D® Clips are fully certified to satisfy legislative requirements to secure all surface cables in escape routes. When used with appropriate fixings they can securely hold bundles of cables on a surface at 930°C for at least 2 hours.

The publication of Amendment 3 to the 17th Edition (BS7671:2015) Wiring Regulations states (in Chapter 52 - Selection and Erection of Wiring Systems) under section 521.11 that after 1st July 2015 "Wiring systems in escape routes shall be supported in such a way that they will not be liable to premature collapse in the event of fire."

In Note 1, there is particular reference to failure of non-metallic trunking leading to cables hanging across access/egress routes & hindering evacuation/fire-fighting activities.

In Note 2, it specifically prohibits the use of non-metallic clips, cable ties or plastic trunking as the sole means of support. Where a non-metallic cable trunking is used, a suitable fire-resistant means of support must be provided to prevent cables falling into escape routes and causing potentially fatal entanglements.





Safe-D Clips Test & Certification - Conclusion (extract)...

"The test results demonstrate that the cable retaining clips do not reduce the circuit integrity below that afforded by the standard fire resisting cable used, and that they withstand a similar temperature and duration to that of a standard fire resisting cable, while maintaining adequate support. Consequently, the test results demonstrate that the clips meet the requirements of section 26.2 e) of BS 5839-1."





after 2 hour burn test



- **High-temperature rated Safe-D Clips can hold cables for 2 hours at 930°C (+40° -0°)**
- **All Safe-D Clips are fully tested as BS5839 part 1 compliant; by Exova Warrington Fire...**
copy certification on request
- **20mm wide side-tabs & pliable gauge combine for quickest and easiest folding**
- **Smooth & rounded edges, as required by design code BS7671 s522.8.11, to protect soft-skin cables etc (and user friendly!)**
- **Passivated non-corrosive coating on all faces & edges**
- **5mm diameter hole accepts all popular non-combustible fixings**
- **Ideal for ceiling voids, or popular PVC trunkings 25mm - 50mm widths**
- **Potent pending**

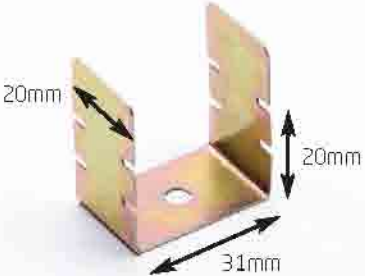


SAFE-D30



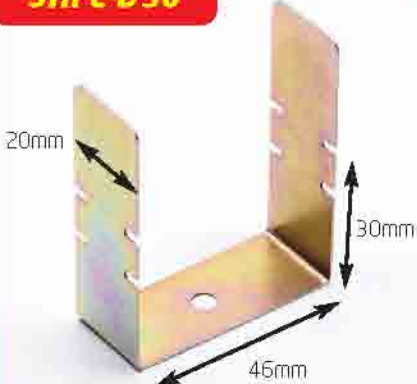
23mm base for popular 2 cable combinations. (2x 2.5mm T&E; 2x 1.5mm FP Cables; up to 4 Cat5)

SAFE-D40



Can fit 32-40mm trunking bases folds to max 20mm height

SAFE-D50



Can fit up to 50mm trunking bases
Folds to max 30mm height, so ensuring space for air circulation within 50x50mm trunking



	SAFE-D30 Base Measurement = 23mm	SAFE-D40 Base Measurement = 31mm	SAFE-D50 Base Measurement = 46mm
Suitable for use with these trunkings	D-Line 30x15mm	Size 3 40mm x 16mm (w x h) Size 4 40mm x 25mm (w x h)	Size 6 50mm x 25mm (w x h) Size 7 50mm x 32mm (w x h)
	Size 2 25mm x 16mm (w x h)	Size 5 40mm x 40mm (w x h)	Size 8 50mm x 50mm (w x h)

Pic shows SAFE-D30 in D-Line Mini Trunking 30x15mm



To specify Safe-D Clips: High-temperature pliable-steel fire-rated clips with passivated non-corrosive finish, 20mm wide smooth-rounded-tabs to satisfy design requirement BS7671 s522.8.11, and capable of holding cables securely in compliance with performance requirement BS5839-1. Use with non-combustible fixings suitable for relevant surface.
To fit at 300mm horizontal & 400mm vertical spacings.

To specify D-Line Mini Trunking: (eg For 2x 2c 1.5mm FP Cables) ½-Round Mini Trunking, produced using self-extinguishing PVC with non-detachable hinged & click-lock lid in a single piece design, as compliant with BS EN 50085 - 1:2005 Part 1. Use with proprietary accessories.

Medium Duty Linkable Floor Cover

To protect cables and minimise the risk of trips and falls, these profiles are ideal in areas with regular foot traffic. Being linkable makes D-Line Medium Duty Floor Covers most versatile.

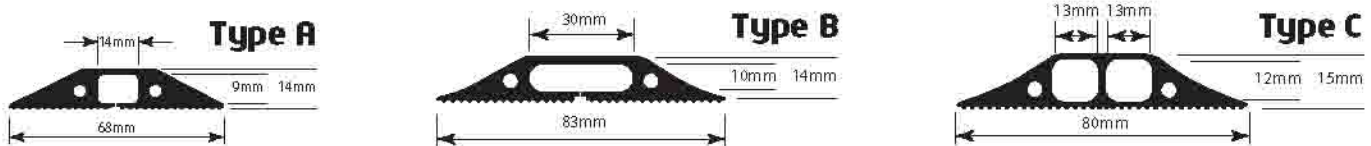


Each length is supplied with 2 connector pins.

Simply push these connector pins into pin holes to join 2 or more lengths, to make the run as long as required! Pull apart to release if necessary.

The ribbed back makes the lengths non-slip, so saving the need for adhesive tape. Single compartment versions (Types A & B) are pre-split to contain cables in the cavity.

Products are certified to BS EN 60670-1:2005.



2x connector pins supplied with every length



Supplied coiled in box; simply unroll to lay flat



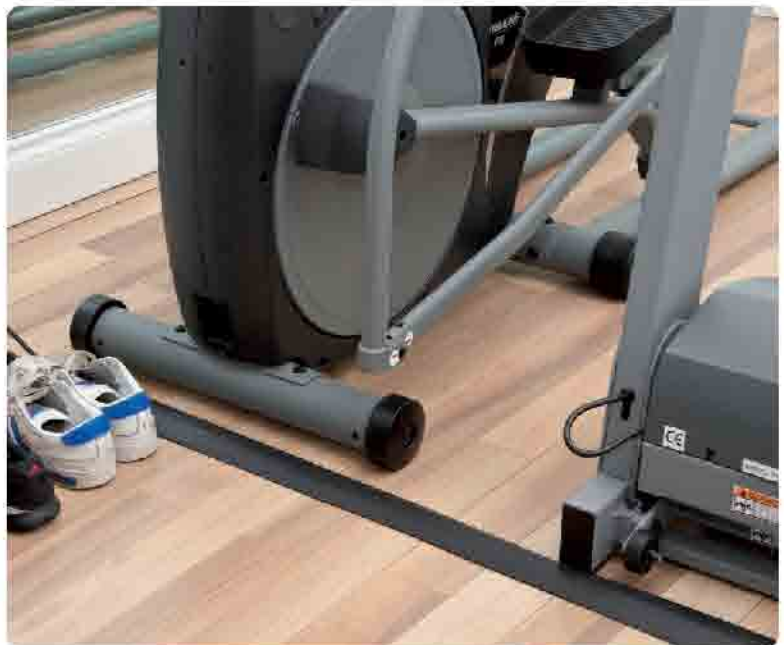
Description	Colour	1.8m Part No.	9m Part No.
68mm wide with 14 x 9mm cable cavity	Black	FC68B	FC68B/9M
83mm wide with 30 x 10mm cable cavity	Black	FC83B	FC83B/9M
83mm wide with 30 x 10mm cable cavity	Black/Yellow	FC83H	FC83H/9M
83mm wide with 2 x 13 x 12mm cable cavities	Black	FC83B/2C	FC83B/2C/9M

Light Duty Floor Cover

The perfect choice to cover cables trailing across open floors with light foot traffic.



The cavity can accommodate 2 x 8mm popular flex type cables. The 1.8m and 9m lengths can be cut if required. The profile is made of flexible grade PVC so effectively unrolls to lay flat. A ribbed back makes the length non-slip so eliminates the need for adhesive tapes. The pre-split rear cavity makes it easy to insert cables. A tapered design and narrow width gives a discreet low-profile appearance to blend in any area. Products are certified to BS EN 60670-1:2005.



Supplied coiled in box; simply unroll to lay flat

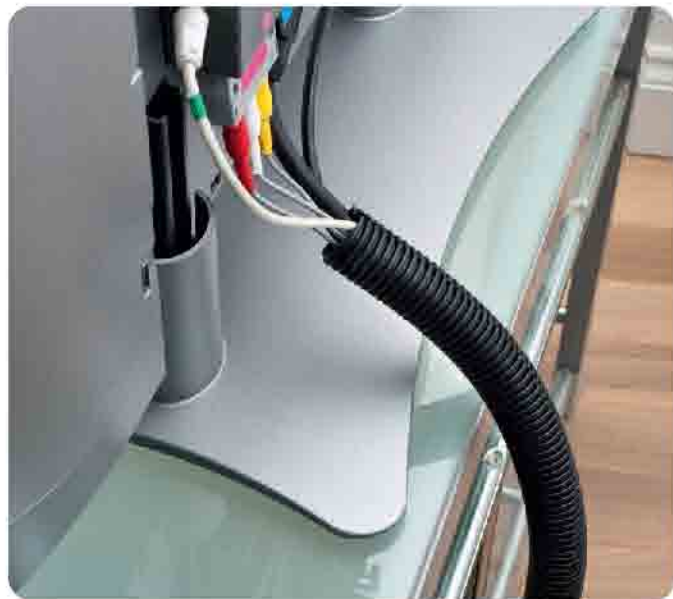
Description	Colour	1.8m Part No.	9m Part No.
Light Duty 60mm wide with 17 x 9mm cable cavity	Black	CC-1	CC-1/9(M)

Cable Tidy Pre-Split Tube

To protect & tidy cables, pre-split Cable Tidy Tube is quick and easy to use and can fit around cables in-situ.



This pre-split conduit tubing is designed to provide a high degree of flexibility. Lengths are produced from material that is comfortable to use manually - so eliminating any need for application tools and making it easy to add or remove cables. Cable Tidy Pre-Split Tube is UV stabilised, and halogen free. Products are certified to BS EN 60695-2-10:2001. The 1.1m length makes a popular choice behind TVs and desks.



Description	Colour	Part No
32mm outer dia (26.2mm internal dia) 1.1m length	Black	CTT1.1B
32mm outer dia (26.2mm internal dia) 1.1m length	White	CTT1.1W
25mm outer dia (19.5mm internal dia) 1.1m length	Black	CTT1.1/25B

Cable Tidy Spiral Wrap

Cable Tidy Spiral Wrap provides a universally popular and versatile option for organising and protecting bundles of cables.



D-Line spiral wrap solution is versatile by the users ability to simply wrap by hand around the cables according to the diameter of the bundle (up to 40mm). Also cables can branch out along the length at any point and in any direction. For use to securely wrap cables together in offices, homes and factories - the lengths can be simply cut by scissors. Halogen free, UV stabilised, this spiral wrap offers good resistance to oils and lubricants, acids, alkalis and fuels.



Description	Colour	Part No
2.5m Spiral Wrap suitable for 10-40mm	Black	CTW2.5B
2.5m Spiral Wrap suitable for 10-40mm	White	CTW2.5W
3.0m Spiral Wrap suitable for 6-20mm	Black	CTW3B

Cable Tidy Units

Cable Tidy Units provide a smart and practical solution to safely and easily contain cable clutter.



Cable Tidy Units are available in two sizes to contain most 6 way or 4 way extension blocks, transformer plugs and associated cable spaghetti. With all cabling contained inside the Unit, wasted space is returned and surfaces become easier to clean. A safety trip and spill hazard is also eliminated.

The Units have 3 cable exits / entry slots in the rear so a neat front is always maintained. If a Unit is next to a wall, use D-Line Trunking lengths to hide entry and exit cables; alternatively consider D-Line Split Tube and Spiral Wrap.

Cable Tidy Units have been tested and certified to exacting safety standards (BS EN 60670-22:2006).



Case Study
 As used at Wembley Stadium to contain 800+ extension blocks & cable clutter on solid floors below till points

Description	Black Part No	White Part No
Small Cable Tidy Unit (325mm W x 125mm D x 115mm H)	CTUSMLB	CTUSMLW
Large Cable Tidy Unit (415mm W x 165mm D x 135mm H)	CTULGEB	CTULGEW

Also Available...

Cable Tidy Bases



Save time retrieving fallen cables - Keep cables where needed

Description	Part No
Cable Tidy Base Black (bag of 100)	CTBASEBLK
Cable Tidy Base White (bag of 100)	CTBASEWHT
Cable Tidy Base Grey (bag of 100)	CTBASEGRY
Cable Tidy Base Pink (bag of 100)	CTBASEPNK
Cable Tidy Base Yellow (bag of 100)	CTBASEYLW
Cable Tidy Base Green (bag of 100)	CTBASEGRN

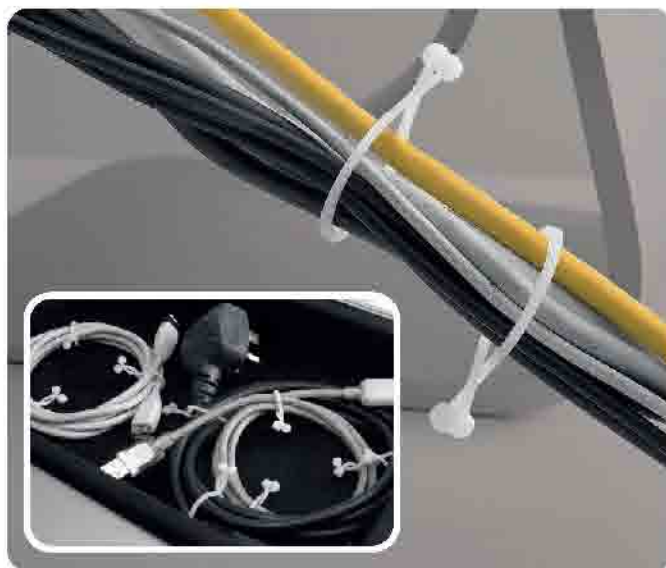
Cable Tidy Clips



The low-profile and narrow base provides a versatile solution

Description	Part No
1x Cable Tidy Clip (26mm W x 15mm D x 8mm H)	PPCTABSAW

Cable Tidy Twists



Simply twist & lock to fasten bundles of cables

Description	Part No
Cable Tidy Twist 11mm dia (bag of 100)	CTWST/TL450
Cable Tidy Twist 15mm dia (bag of 100)	CTWST/TL600
Cable Tidy Twist 22mm dia (bag of 100)	CTWST/TL950
Cable Tidy Twist 28mm dia (bag of 100)	CTWST/TL1125
Cable Tidy Twist 35mm dia (bag of 100)	CTWST/TL1375

Cable Tidy Band



Tested to hold up to 10kg with a 50mm overlap
Hook & loop design
Re-usable

Description	Part No
1.2m Black Hook & Loop Band	HLBAND1.2B

D-LINE

D-Line (Europe) Limited

Double Row, Seaton Delaval
Whitley Bay, Tyne & Wear
NE25 0PP United Kingdom

Tel: +44 (0)191 236 0960

Sales Tel: +44 (0)191 237 9156

Finance Tel: +44 (0)191 237 9157

Fax: +44 (0)191 236 0979

www.d-line-uk.co.uk





wishboneTM
design studio

play on.



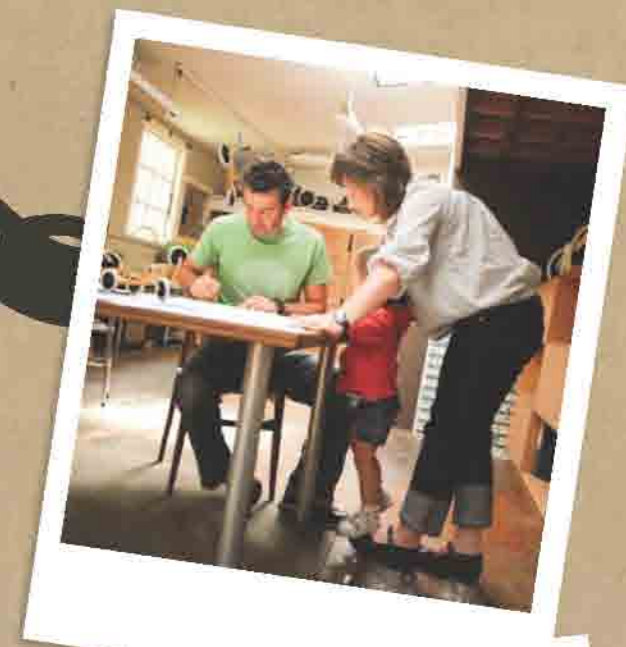
hi there.

Rich made the first Wishbone Bike back in 2005 in our New York City bathroom. Noah was one and Rich was missing small-town New Zealand. We wanted to give Noah a taste of the freedom we'd had - when the days were long and the folks weren't watching. We figured, every kid is a hero the day they learn to ride.

Since our first bike, we've made other stuff too. Our idea is to make it so good, that it changes you. Just a tiny bit.

You finally get outdoors. Your toddler plays for a full half hour with a toy that actually improves your interior design. You replace a broken part and see your little one's face when you do the repairs together. And maybe, you stop buying more stuff because what you already have is amazing.

Rich & Jen. Wellington, New Zealand.



Sat afternoon. our place



a brand
new classic.

Equal parts wagon, gravity racer and foot-to-floor car, Wishbone Wagon brings the past and the present together for hours of interactive play.

- 3 handle positions - push, pull or stow.
- removable steering wheel that really steers
- flip-up base for foot-to-floor fun
- super stable with air-filled tyres
- For ages 1 to 10. Max 50kg.

Children play together for hours with so many combinations. Childsplay to transform!





Rock. Walk. Ride.
It's 3-in-1.

Wishbone Flip is a 3-in-1 indoor ride-on toy.

It's a rocker.

It's a push-toy.

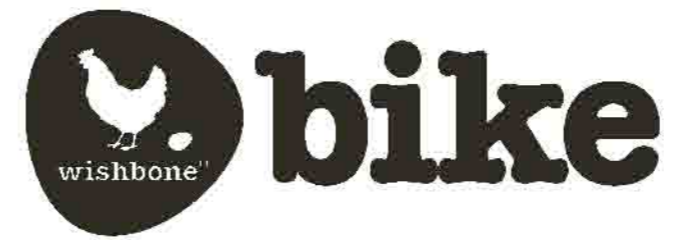
It's a ride-on.

With its innovative flipping mechanism, Wishbone Flip transforms in seconds, no tools required.

Wishbone Flip brings together contemporary form and super-functionality in a timeless toy your whole family will enjoy.

Available in white or red.





the ultimate pre-bike.

Wishbone Bike starts at 12 months with three wheels, helping babies to walk and then ride. Lightweight and super-stable.

Later Wishbone Bike converts to a two-wheel balance bike.

Then raise the seat and flip the frame to transform Wishbone Bike into one of the largest balance bikes on the market. For kids up to 5 years.

Wishbone Bike 3-in-1 comes with everything you need from baby walker, to toddler trike to balance bike. Small or large. You choose.

Wishbone Bike 2-in-1 comes with two wheels and is the most adjustable balance bike on the market. Wishbone Trike Kit sold separately.

1



2



3





Alphabet Limited Edition

Original design by
Ryan Henderson & Alicia Christie
www.dsgreedesign.co.nz

Available as Wishbone Bike 3-in-1.



Red or Green

Available as 3-in-1 or 2-in-1.
Trike Kit sold separately.





Recycled Edition

Presenting the Rotafix™ frame adjustment system. Wishbone Bike Recycled Edition is an innovative learn-to-ride concept that grows with your child from 12 months to 6 years.

Learn to walk, ride and balance with our rugged, recycled wishbone bike. Rotafix™ is a patented system for easy, integrated frame and seat adjustability.

- Made from 70% post-consumer recycled carpet!
- Easy Rotafix™ adjustment system
- Seat height from 23 to 50cm/9 to 20 inches.
- Comes with black safety grips and two air-filled rubber tyres
- Trike kit, stickers, seatcovers and coloured grips sold separately.
- Pedal kit available 2014.





flowers



make it yours!

flames



transform your bike yourself.

Choose from two great designs, and go wild.

Wishbone stickers are durable for outdoor use, UV and tear resistant



woodie



paisley



zebra



camo



 **seatcover**

 **grips**

what's your
favourite colour?

Unleash your personality with our
gorgeous wishbone seatcovers and grips.
These fit neatly over your seat or grips for
a colourful, durable and safe ride.

Available in yellow, pink, red, green, purple,
black and blue.

Wishbone Seatcovers and Wishbone Grips
fit all models of Wishbone Bike.



nameplate

nameplate
& sticker
pack



make it yours.

For your bike, wagon, toybox, lunchbox, schoolbag coathook, dog kennel, bedroom.

Whatever you want to say, say it on a wishbone nameplate! This little gift is a DIY project and personalisable plate all-in-one. Comes with alphabet stickers to write your own name or message. 100% recycled plastic nameplate. Perfect for eco-conscious trendsetters.

jersey

casquette

remain cool
at all times.

Every toddler needs technical cyclewear.

Breathable Coolmax jersey with mid-length front zip, reflective details, two back pockets and elastic waist with silicon grip. Wear with style apres-ride.

100% cotton riding cap in two sizes, XS and S. For little heads 43 to 49cm. For 12 months to 6 years.





Wishbone
CYCLEWORKS



T. +64 4 3891959
Unit 25/369 Adelaide Road
Wellington 6021, New Zealand
info@wishbonedesign.com

www.wishbonedesign.com

©2015 Wishbone Design Studio Limited.